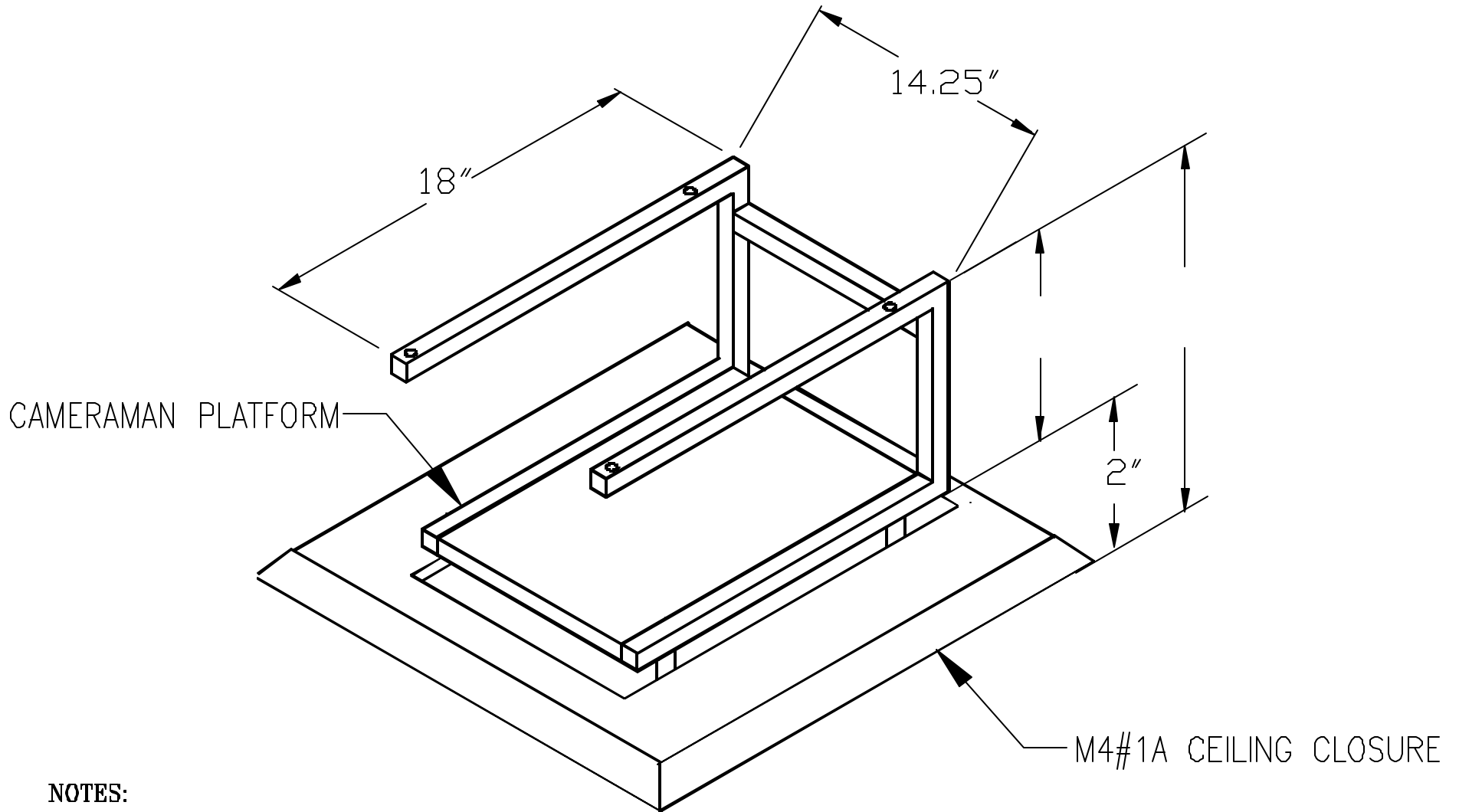


SVS #13 CAMERAMAN PLATFORM FOR 2X2 CEILING CLOSURE



NOTES:

1. CAMERAMAN PLATFORM HEIGHT WILL BE DETERMINED BY HEIGHT REQUIRED BY THE APPLICATION.
2. CAMERAMAN MINIMUM WIDTH IS 14.25 INCHES.

(NOT DRAWN TO SCALE)

© COPYRIGHT	SCALE APPROX	SVS INC.	
DRAWN BY:		SVS #13 PLATFORM FOR 2X2 CEILING CLOSURE	
CHECKED BY: C.H.		DRAWING NO CAMERAMAN 2X2	
DESIGNED BY: SVS		SERIAL NO	RELEASE DATE
CAGE CODE: OKPR7	2-89		12/07/04
PHONE: 850-522-4747			