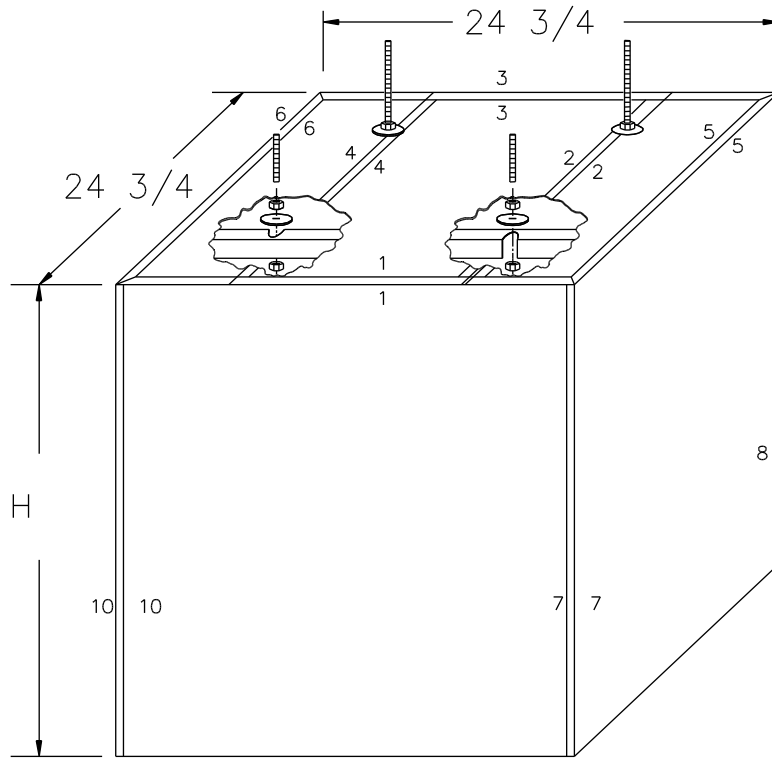


SVS ACCESSORY # 2 PLENUM SHROUD (SVS MINI 4 2X2 & M2X SERIES)



INSTALL INSPECTION HOLE CLOSE TO MOTOR IF THERE IS NO ACCESS TO UPPER CEILING. DO NOT FRAME IN SIDES OF SHROUD, SO THEY CAN BE REMOVED FOR SERVICE.

USING SVS: _____

WITH PROJECTOR: _____

M4#1A CEILING CLOSURE

#2 PLENUM SHROUD

#9 MOUNT

SHROUD HEIGHT CAN BE SHORTENED WITH TIN SNIPS OR SVS CAN SUPPLY EXTENSION TO INCREASE FOR LARGER PROJECTORS. PLEASE SPECIFY WHEN ORDERING.

© COPYRIGHT	SCALE: APPROX.	SVS INC.	
DRAWN BY: D.L.	8-91	PROJECT SVS #2 PLENUM SHROUD	
CHECKED BY: C.H.	8-91	DRAWING NO. 2X2 SHROUD	
DESIGNED BY: SVS	8-91	SERIAL # AND U/PRELEASE DATE	
CAGE CODE:	2-89	800	09/15/06
PHONE 850-522-4747			