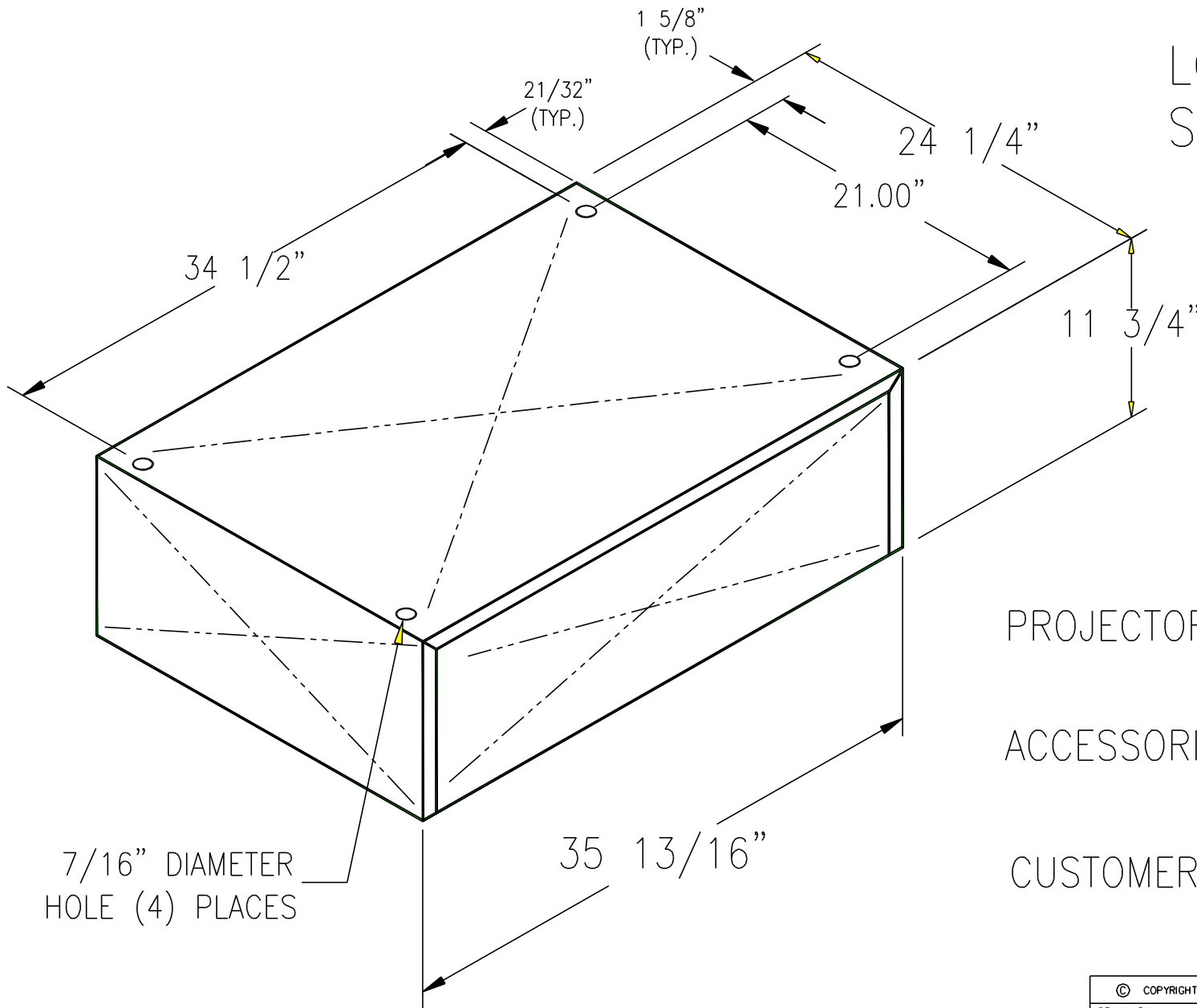


LCD-1S PLENUM SHROUD



$\frac{7}{16}$ " DIAMETER
HOLE (4) PLACES

PROJECTOR _____

ACCESSORIES _____

CUSTOMER _____

© COPYRIGHT	SCALE APPROX.	SVS INC.	
DRAWN BY: B.S.	2/14/2001	PROJECT LCD-1S PLENUM SHROUD	
CHECKED BY: C.H.		DRAWING NO.	DESCRIPTION
DESIGNED BY: SVS			SVS LCD-1S PLENUM SHROUD
CAGE CODE:		SERIAL NO.	RELEASE DATE REV.1
PHONE: 850-522-4747			