

USING SVS MODEL: MINI 4- \_\_\_\_\_  
 WITH PROJECTOR: \_\_\_\_\_

- ACCESSORIES:
- #1 CEILING CLOSURE
  - #2 PLENUM SHROUD
  - #9 MOUNT

SVS ACCESSORY #1A CEILING CLOSURE

15/16 T-BAR 2'X2' OPTION

24" T-BAR CL (TYP)

CEILING TRIM  
 RETAINER

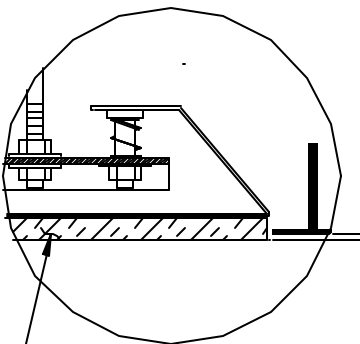
CEILING TRIM  
 MOUNTING TABS

IF NECESSARY:  
 ADJUST EXISTING T-BAR  
 TO 24" CENTERLINES  
 (23" SQ. INSIDE OPENING) OR:  
 USE OPTIONAL TRIM  
 FRAME SUPPLIED BY SVS  
 FOR 24 3/8" SQ. OPENING

CEILING CLOSURE  
 (22 7/8" X 22 7/8"  
 SQUARE REF.)

THREADED ROD

DO NOT  
 ALLOW  
 CEILING CLOSURE  
 TO GO ABOVE  
 T-BAR



DETAIL A

TRIM CEILING TILE TO 22 7/8" SQ. TO  
 MATCH CLOSURE. (TILE SUPPLIED &  
 ATTACHED BY OTHERS)

(4) STOP TABS  
 INSTALLED IN  
 FIELD

CEILING MATERIAL  
 SUPPLIED AND ATTACHED BY OTHERS

SEE DETAIL  
 'A'

© COPYRIGHT		SVS INC.	
DRAWN BY:	Bill S. 8-1-00	MODEL	
CHECKED BY:		SVS 2'x2' CEILING CLOSURE	
DESIGNED BY:		DRAWING NO.	DESCRIPTION
CAGE CODE		M4#1A 15-16	ASSEMBLY DWG.
PHONE:	850-522-4747	SERIAL NO.	REV. DATE
			03/22/04