

# SVS CEILING LIFTS

For Medium Size to Large Projectors

# SVS 4 Series



(Photo courtesy of Comunicaciones Informatica)

## PRODUCT FEATURES

- Supports medium size to large projectors
- Lowering distances from 5'6" to 10' (1.67 m to 3.05 m)
- Lifting Capacity up to 400 lbs (181.44 kg)
- Three positions: Stored, Show (adjustable) & Service
- Includes 24VAC wall plate controller for low voltage control & standard video cable management system.
- Very quiet operation
- Warranty: 5 Year parts, 1 year motor & 90 day factory labor

## SPECIFICATIONS

| LIFT MODEL | MAXIMUM LOWERING DISTANCE | VERTICAL HEIGHT OF LIFT IN CLOSED POSITION (1)<br>LIFT ONLY | PHYSICAL DIMENSIONS |               |                   |                   |
|------------|---------------------------|---|---------------------|---------------|-------------------|-------------------|
|            |                           |   | WIDTH               | DEPTH         | NET WEIGHT        | SHIPPING WEIGHT   |
| SVS 4-5    | 5'6" /1.67m               | 11.5" /292 mm   | 24" /609.6 mm       | 34" /863.6 mm | 120 lbs/ 54.43 kg | 165 lbs/ 74.84 kg |
| SVS 4-7    | 7' /2.13m                 | 13" /330mm  |                     |               | 135 lbs/ 61.23 kg | 180 lbs/ 81.64 kg |
| SVS 4-8    | 8'6" /2.59m               | 14.5" /368mm  |                     |               | 150 lbs/ 68.03 kg | 195 lbs/ 88.45 kg |
| SVS 4-10   | 10' /3.05m                | 16" /406mm  |                     |               | 165 lbs/ 74.84 kg | 205 lbs/ 92.98 kg |

(1) Vertical height does not include projector, projector mount and ceiling closure. Supporting structure is additional

## STANDARD SPECIFICATIONS

**Voltage** 110v/220V, 60/50hz  
**Current Draw** 1.5 amps [110v], .75 amps [220v]  
**Control Voltage** 24VAC (contact closure)  
**Materials** Steel/Aluminum/Nylon

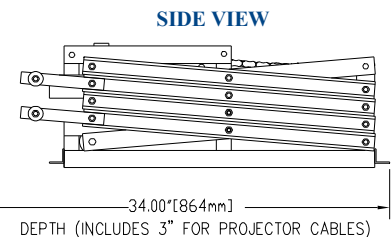
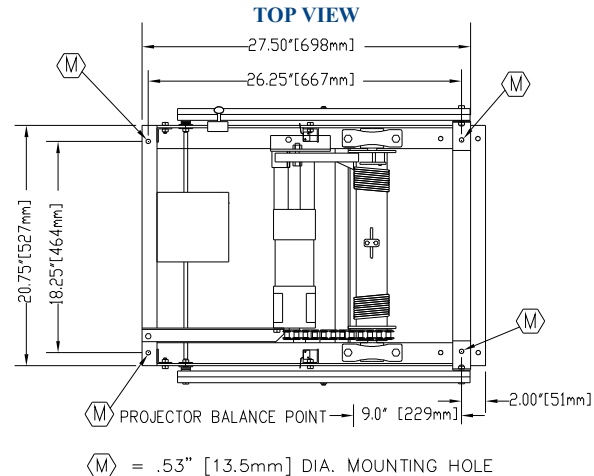
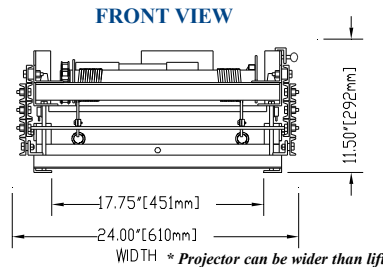
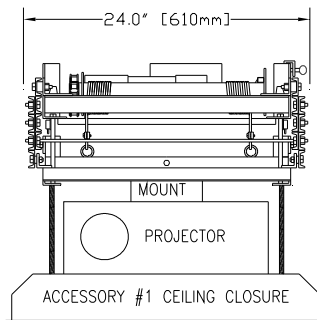
## RECOMMENDED ACCESSORIES

**#1 Ceiling Closure** - Self-aligning closure system complete with ceiling framework. Supplied with 15/16" ceiling trim ring. Designed to accept ceiling tile or dry wall ceiling. Supplied unpainted.

**FP1 Ceiling Closure** -Fixed mounted flat closure panel-Lipped or Lipless. Supplied with 15/16" ceiling trim ring. Ceiling material attaches to the bottom of the panel or closure may be painted. Supplied unpainted.

**#2 Plenum Shroud**- Protective Metal cover for lift and projector in air plenum rated ceiling.

**#9 Mount** - Mounting bracket used to attach the projector to the saddle of the lift in an inverted position (model varies with the projector model).



U.S. Patent No. 5,261, 645 & 5, 366,203