

SVS CEILING LIFTS

For Projectors up to 17" Wide x 8.75" H x 22" D with lens

SVS LCD-1S Series



PRODUCT FEATURES

- Supports small to medium size projectors
- Ideal for installations with restricted vertical space- only requires 11.75" [298.4 mm] of height
- Maximum Travel Distance: 8" [203.2 mm]
- Two positions: Up and Down (projector is stored in the ceiling when not in use and lowered for show).
- Easy Installation
- Projector mounting bracket supplied with lift
- Smooth and quiet lifting mechanism
- Powder Coated White Finish
- Warranty: 1 Year parts & 90 day factory labor

SPECIFICATIONS

Lift Capacity	50 lbs [22.7 kg]
Lowering Distance	8" [203.2 mm] with 15° adjustable downward tilt
Maximum projector size (W x D x H)	Upright: 18" x 8-3/4" x 22" [457 mm x 222 mm x 559 mm] Inverted: 17" x 8-3.4" x 22" [431mm x 222 mm x 559 mm] <i>Note: Depth of projector must include lens and cable connections</i>
Maximum ceiling clearance	11-3/4" [298 mm]
Ceiling opening dimensions (W x D)	Using SVS Trim Ring: 23-3/8" x 35.5" [594 mm x 902mm] Using Existing Trim Ring: 22.88" x 35" [581 mm x 889 mm]
Overall Dimensions (W x D x H)	22.88" x 35.63" x 11-3/4" [581 mm x 905 mm x 298 mm]
Net Weight	75Bs [34 kg]
Shipping Weight	115 lbs [52.1 kg]

STANDARD SPECIFICATIONS

Voltage	110v/60 hz, 220v/50hz* (*220v only available with #18 Low Voltage Adapter)
Current Draw	1.4 amps [110v], .7 amps [220v]
Control Voltage	24VAC with Acc. #18 low voltage adapter (contact closure)
Materials	Steel/Aluminum

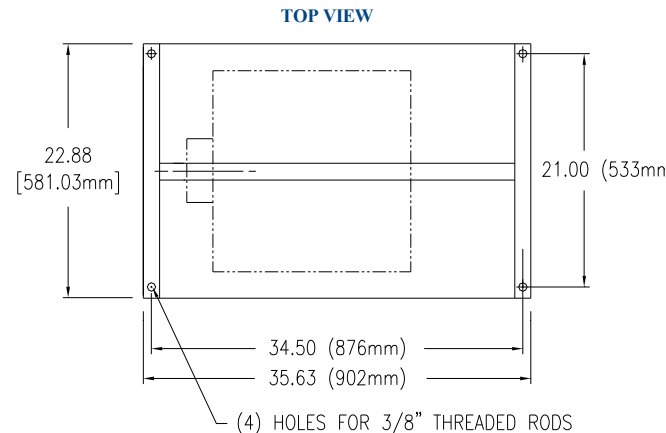
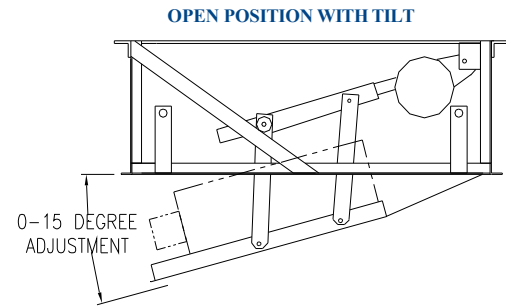
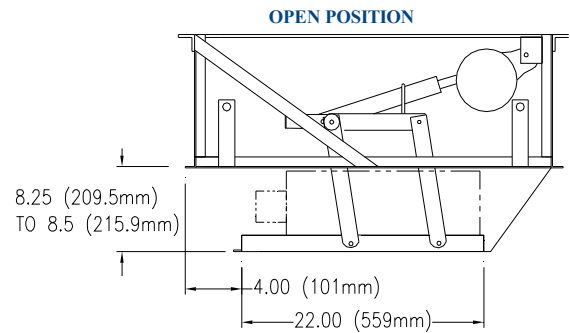
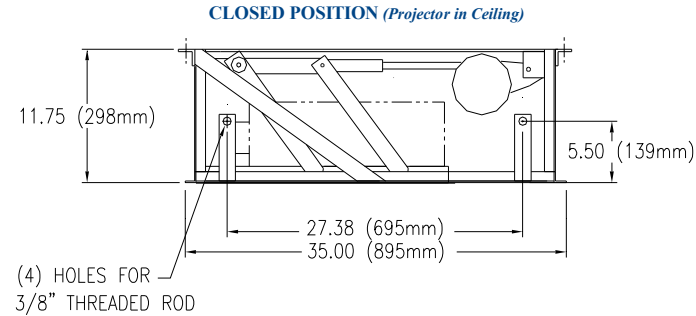
RECOMMENDED ACCESSORIES

Acc. #2 Plenum Shroud – Protective Metal cover for lift & projector in air plenum rated ceiling.

Acc. #18 Low Voltage Adapter- converts 110v to 24VAC for easy connection to low voltage controller .

Acc. #17 Side Panels -Set of two side panels installed on each side of the projector to conceal it from view.
Note: cannot be used if platform is tilted

Wall Plate Controller- Wall-mounted key switch- to be used With #8 LVA (3 connector LV cable not included).



Shown: SVS LCD-1S Lift- Projector not supplied