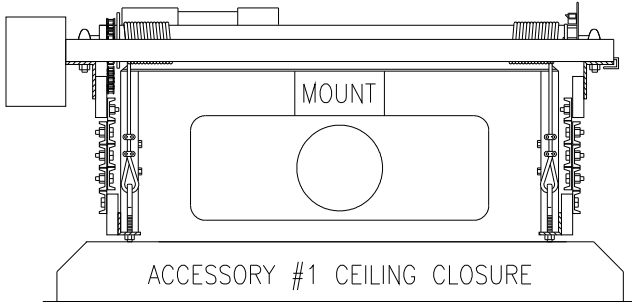


# SVS CEILING LIFTS

For Projectors up to 26" Wide

# SVS Mini 7 Series



## PRODUCT FEATURES

- Supports projectors up to 26" Wide [660.4mm] -width must video cable connections if on the side of projector
- Ideal Solution for installations with restricted space (projector installed inside the lift – between scissors- to minimize vertical height)
- Lowering distances from 4'9" to 7' [1.45m to 2.13 m]
- Lifting capacity up to 400 lbs [181.44 kg]
- Three positions: Stored, Show (adjustable) & Service
- Includes 24VAC wall plate controller for low voltage control & standard video cable management system
- Very quiet operation
- Warranty: 5 Year parts, 1 year motor & 90 day factory labor

## SPECIFICATIONS

LIFT MODEL	MAXIMUM LOWERING DISTANCE	VERTICAL HEIGHT OF LIFT IN CLOSED POSITION (1) (CEILING CLOSURE NOT INCLUDED)	INSIDE VERTICAL CLEARANCE FOR PROJECTOR AND PROJECTOR MOUNT	PHYSICAL DIMENSIONS		NET WEIGHT	SHIPPING WEIGHT
				WIDTH	DEPTH		
<b>Mini 7-4</b>	4'9" /1.45m	16" /406mm	11.5" /292.1 mm	Top Frame: 41.25" /1048mm	34" /864 mm* (*Includes 3" for cable mgt)	145 lbs/ 66 kg	210 lbs/ 95 kg
<b>Mini 7-6</b>	6' /1.83m	17.5" /445 mm	13" /330.2 mm	Bottom Frame: 33" / 838mm		160 lbs/ 72.5 kg	230 lbs/ 104 kg
<b>Mini 7-7</b>	7' /2.13m	19" /483. mm	14.5" / 368.3 mm			175 lbs/ 79.3 kg	250 lbs/ 113 kg

(1) Vertical height may vary depending on height of projector. Supporting structure is additional

## STANDARD SPECIFICATIONS

<b>Voltage</b>	110v/220V, 60/50hz
<b>Current Draw</b>	1.5 amps [110v], .75 amps [220v]
<b>Control Voltage</b>	24 VAC (contact closure)
<b>Materials</b>	Steel/Aluminum/Nylon

## RECOMMENDED ACCESSORIES

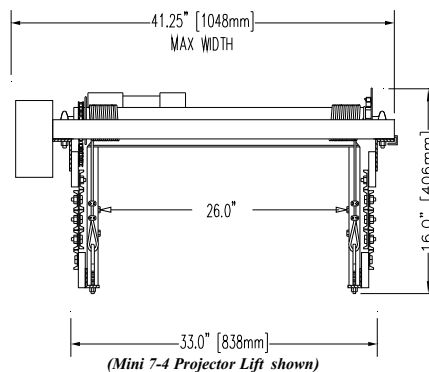
**#1 Ceiling Closure** – Self-aligning closure system complete with ceiling framework. Supplied with 15/16" ceiling trim ring. Designed to accept ceiling tile or dry wall ceiling. Supplied unpainted.

**FP1 Ceiling Closure** -Fixed mounted flat closure panel-Lipped or Lipless. Supplied with 15/16" ceiling trim ring. Ceiling material attaches to the bottom of the panel or closure can be painted. Supplied unpainted.

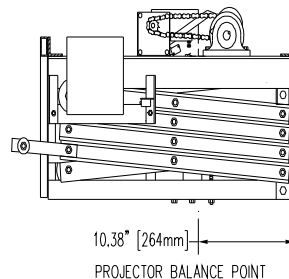
**#2 Plenum Shroud** – Protective Metal cover for lift & projector in air plenum rated ceiling.

**#9 Mount** - Mounting bracket used to attach the projector to the saddle of the lift in an inverted position (model varies with the projector model).

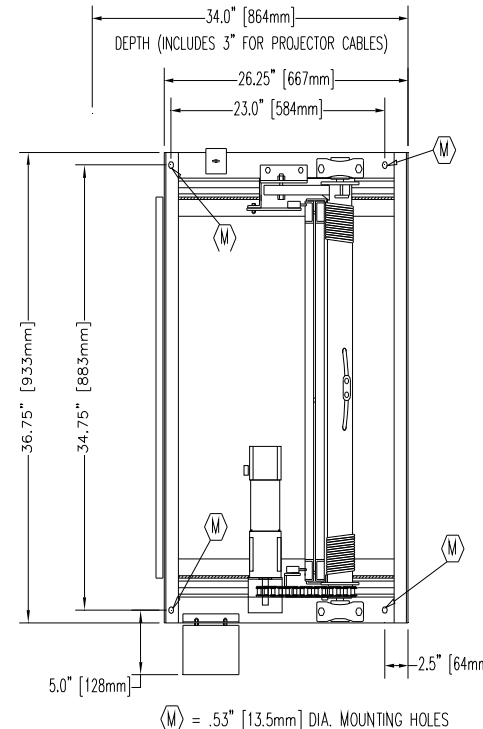
FRONT VIEW



SIDE VIEW



TOP VIEW



U.S. Patent No. 5,261, 645 & 5, 366,203