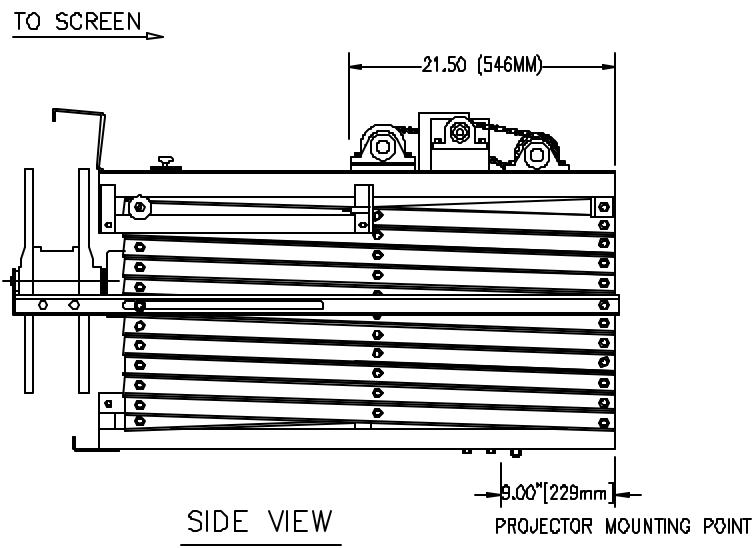
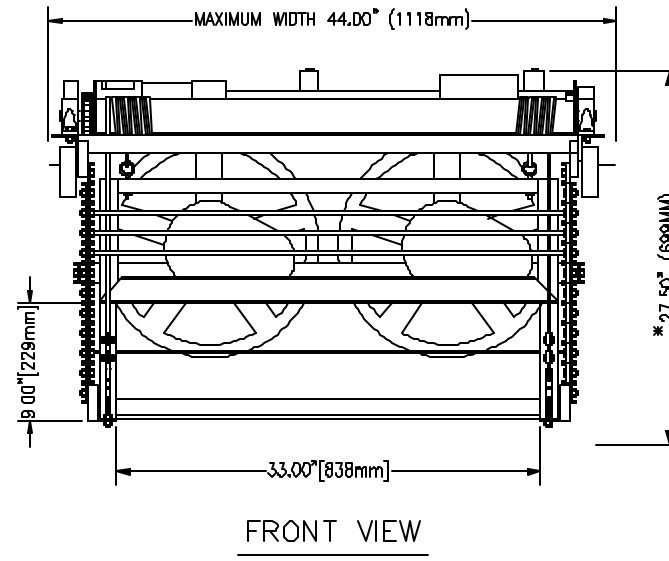
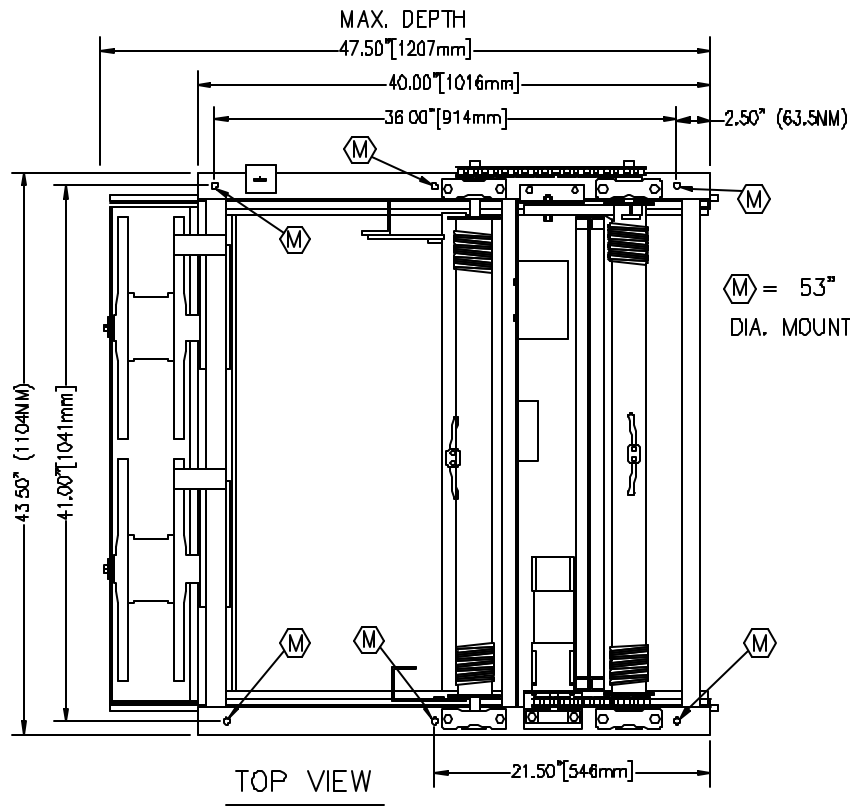


SVS 12EX SERIES PROJECTOR LIFTS

(12EX-24 LIFT SHOWN)



* HEIGHT VARIATION:

- 12EX-24 IS 27.50" [724mm]
- 12EX-29 IS 30.50" [800mm]
- 12EX-33 IS 33.50" [876mm]

NOTE: FOR REFERENCE ONLY—
ACCESSORIES/PROJECTOR MAY
AFFECT OVERALL DIMENSIONS

© COPYRIGHT	SCALE APPROX.	SVS INC.	
DRAWN BY: S.M.	5-96	PROJECT	SVS-12EX LIFT
CHECKED BY: C.H.	5-96	U.S. PATENT # 5,261,645 & # 5,366,203	
DESIGNED BY: SVS	10-91	DRAWING NO.	DESCRIPTION
GAGE CODE: OKPR7	2-89	svs-12ex.dwg	DIMENSIONS
PHONE 303-766-9505		SERIAL NO.	RELEASE DATE REV.2
		1205 AND UP	5-98

SVS 12EX SERIES PROJECTOR LIFTS