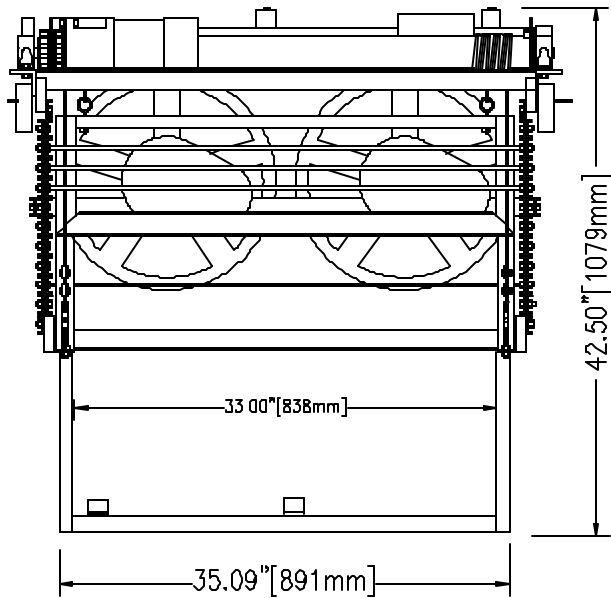


Ⓜ = .53" [13.5mm]
DIA. MOUNTING HOLE

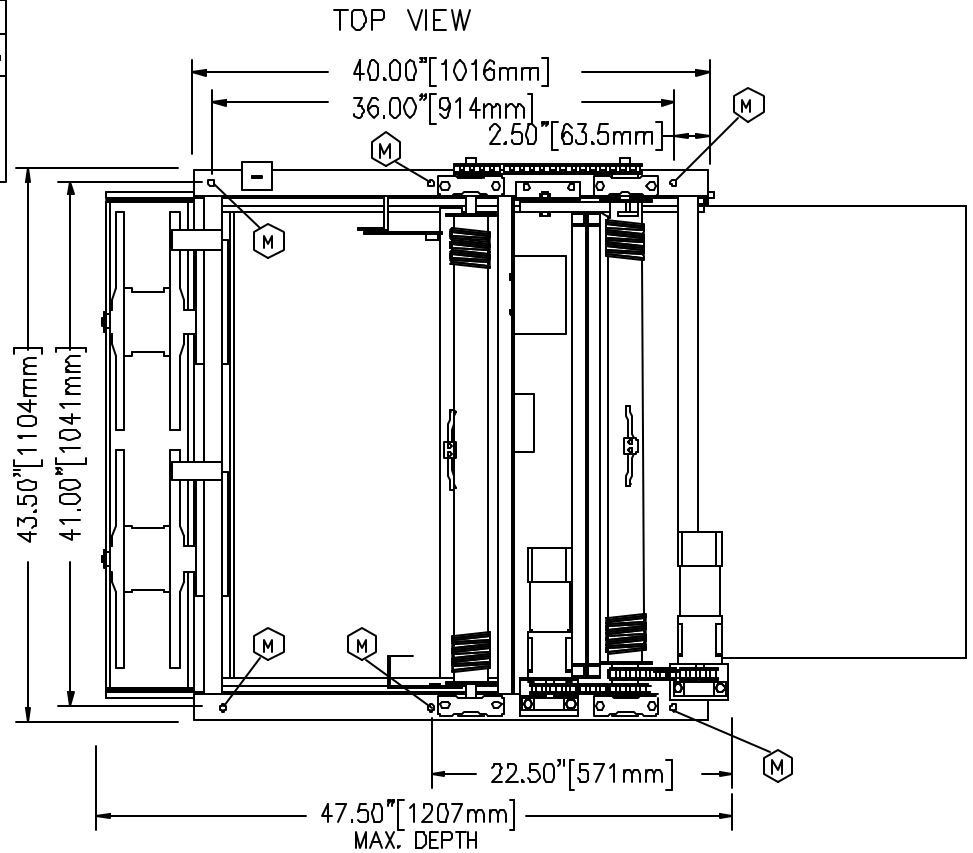
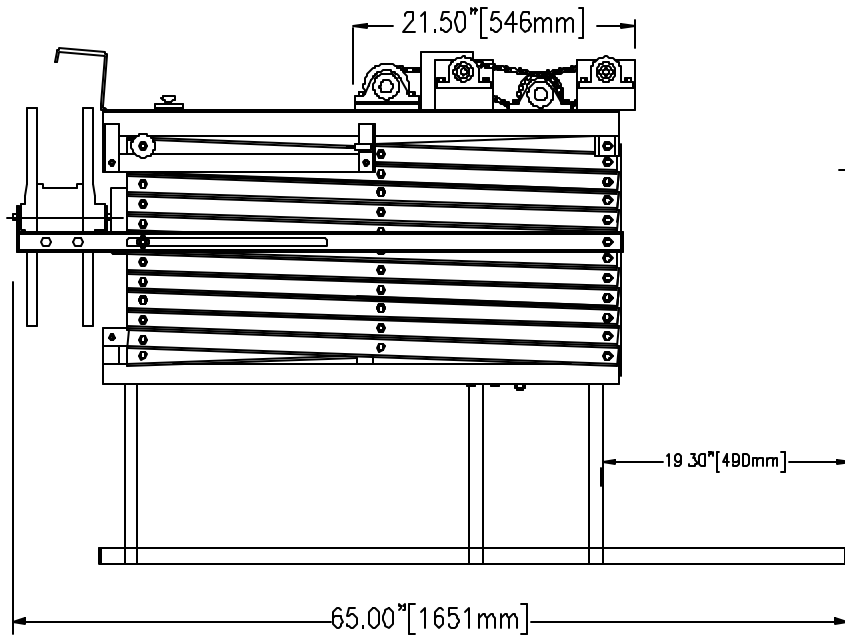
SVS 12HSE SERIES PROJECTOR LIFTS

(12HSE-24 LIFT SHOWN) NOTE: LOW PROFILE VERSION, REMOVABLE PLATFORM

(PROJECTOR CAN BE SERVICED BY PLACING PROJECTOR & PLATFORM ON CART)



LIFT HEIGHT CHART	
MODEL	HEIGHT
SVS 12HSE-24	42.5"
SVS 12HSE-29	45.5"
SVS 12HSE-33	48.5"



© COPYRIGHT	SCALE APPROX.	SVS INC.	
DRAWN BY: S.M.	5-96	PROJECT SVS-12HSE LIFT	
CHECKED BY: C.H.	5-96	U.S. PATENT # 5,261,543 & # 5,356,203	
DESIGNED BY: SVS	10-91	DRAWING NO. SVS-12h.dwg	DESCRIPTION DIMENSIONS
CAGE CODE: OKPR7	2-89	SERIAL NO. 2007 AND UP	RELEASE DATE REV.1 5-98
PHONE 850-522-4747			