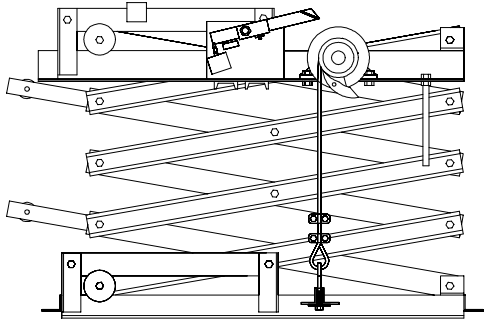
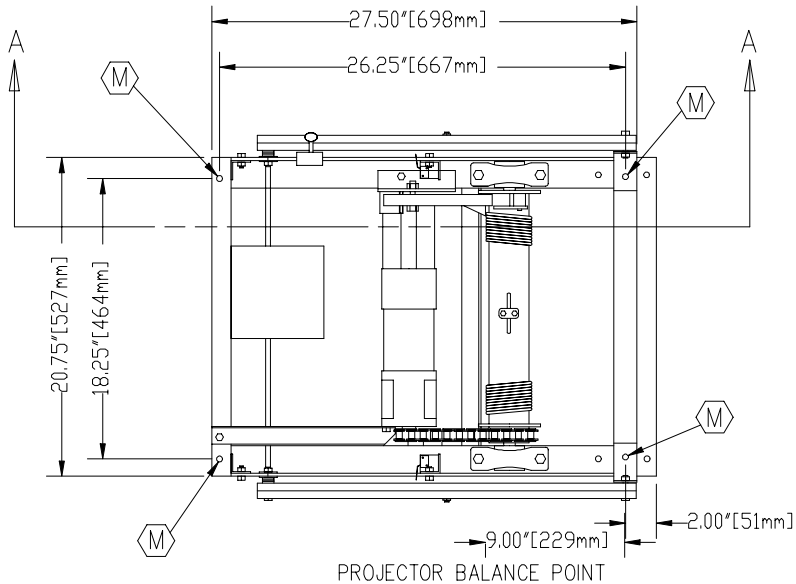


# SVS 4 SERIES PROJECTOR LIFTS

(SVS 4-5 SHOWN)

TOP VIEW

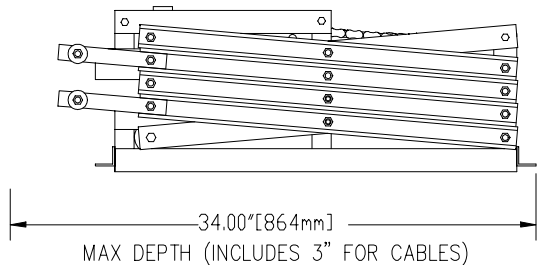


SECTION A-A

INSIDE VIEW  
(SHOWN IN SHOW POSITION)

Ⓜ = .53" [13.5mm] DIA.  
MOUNTING HOLE

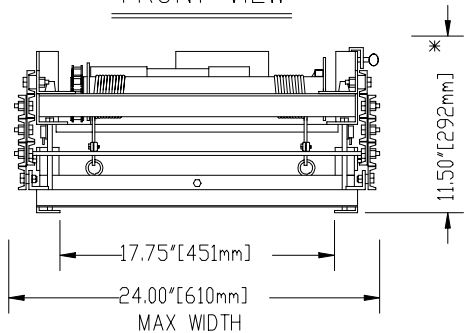
SIDE VIEW



MAX DEPTH (INCLUDES 3" FOR CABLES)

TO SCREEN →

FRONT VIEW



\*HEIGHT VARIATION:

- 4-5 IS 11.50" [292mm]
- 4-7 IS 13.00" [330mm]
- 4-8 IS 14.50" [368mm]
- 4-10 IS 16.00" [406mm]

NOTE: FOR REFERENCE ONLY--  
ACCESSORIES/PROJECTOR MAY  
AFFECT OVERALL DIMENSIONS

© COPYRIGHT	SCALE APPROX	SVS INC.	
DRAWN BY: S.M.	4-96		
CHECKED BY: C.H.	4-96	MODEL SVS 4 DIMENSIONS US PATENT #5,261,645 & #5,366,203	
DESIGNED BY: SVS	10-91	DRAWING NO. svs-4.dwg	DESCRIPTION DIMENSIONS
CAGE CODE: OKPR7	2-89	SERIAL NO. 1100 AND UP	RELEASE DATE REV. 2 1-96
PHONE: 850-522-4747			