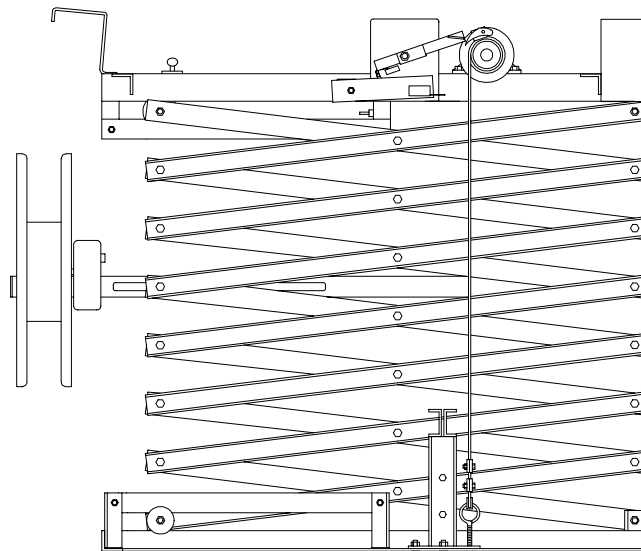
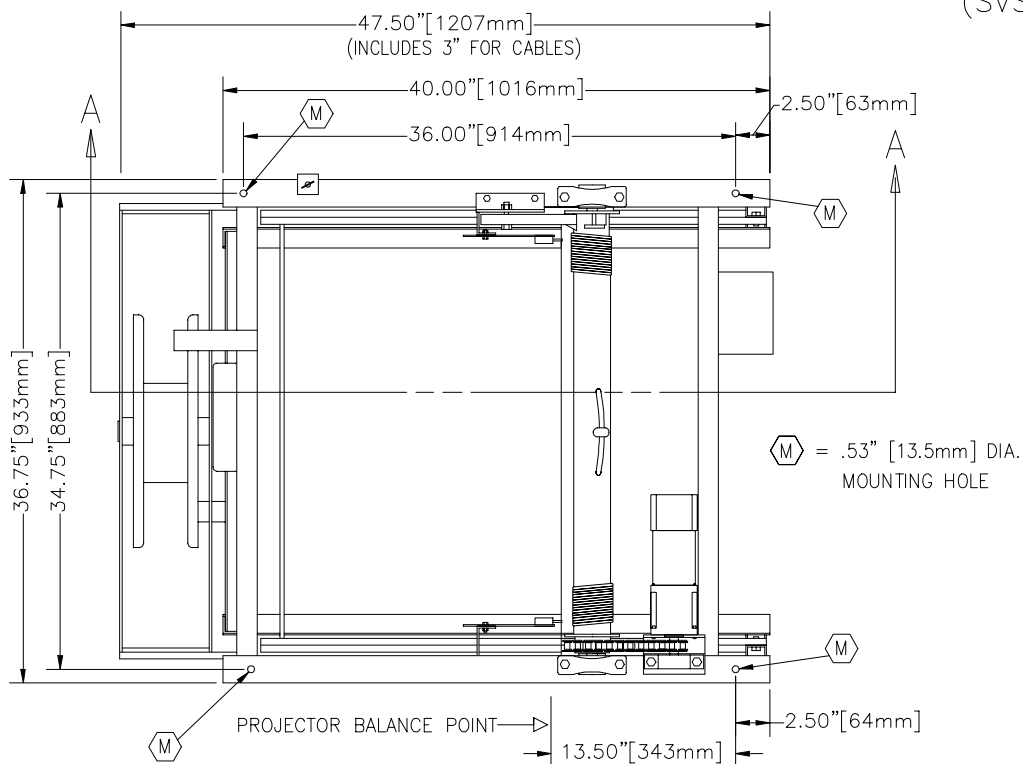


# SVS 7 SERIES PROJECTOR LIFTS

(SVS 7-15 SHOWN)

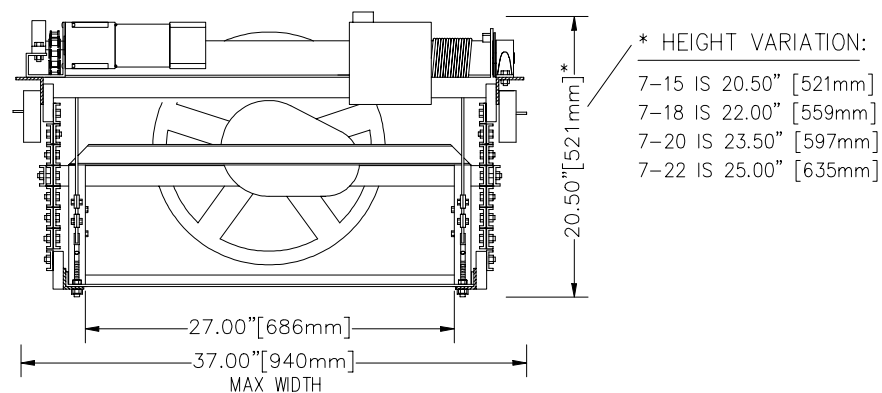
TOP VIEW



SECTION A-A

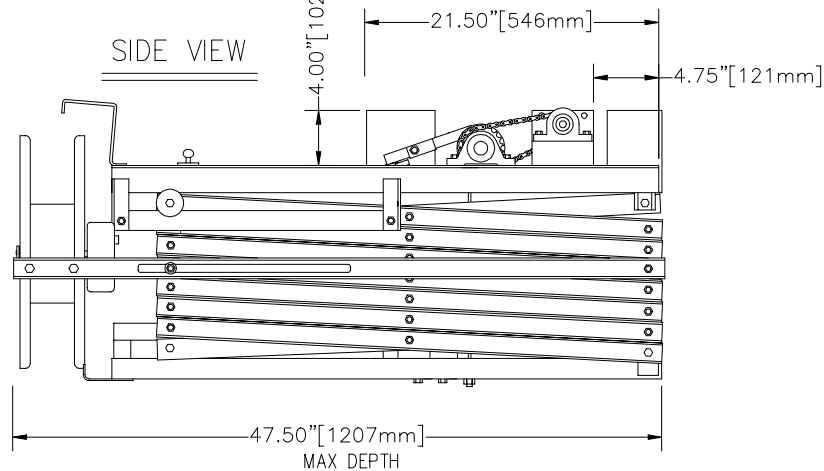
INSIDE VIEW (SHOWN IN SHOW POSITION)

FRONT VIEW



TO SCREEN

SIDE VIEW



© COPYRIGHT		SCALE APPROX.	SVS INC.	
DRAWN BY:	S.M.	5-96	PROJECT SVS-7 LIFT	
CHECKED BY:	C.H.	5-96	U.S. PATENT # 5,261,645 & # 5,366,203	
DESIGNED BY:	SVS	10-91	DRAWING NO.	DESCRIPTION
CAGE CODE:	OKPR7	2-89	svs-7cr.dwg	DIMENSIONS
PHONE:	850-522-4747		SERIAL NO.	RELEASE DATE REV.2
			1205 AND UP	5-96