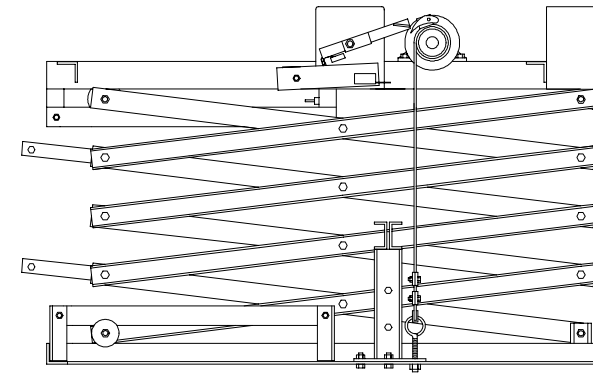
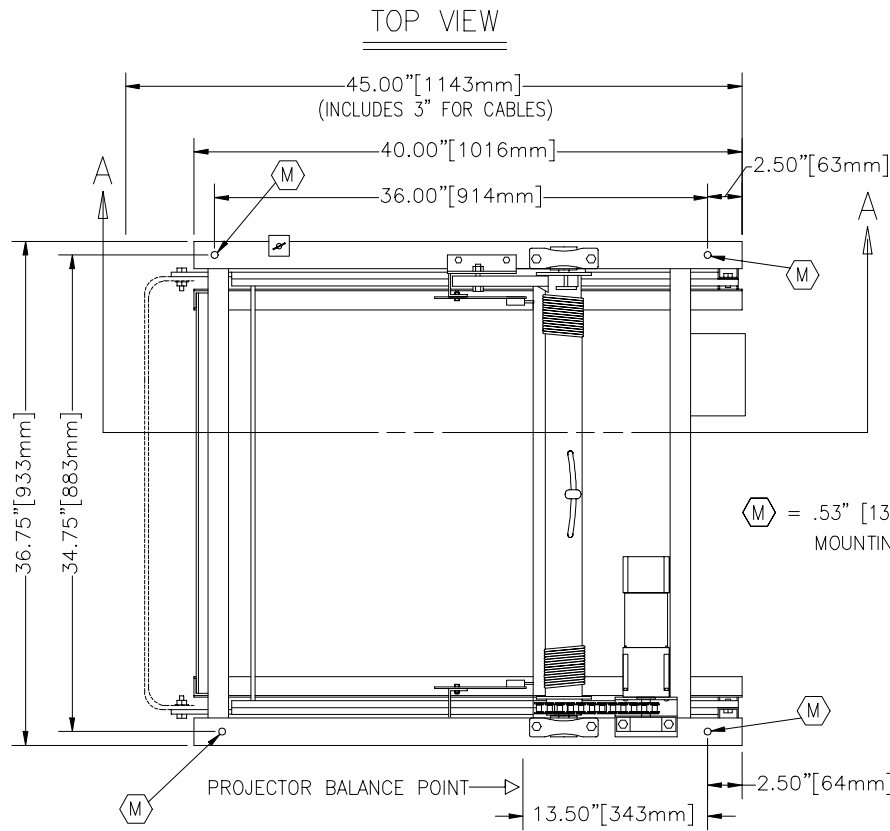


SVS 7 SERIES PROJECTOR LIFTS

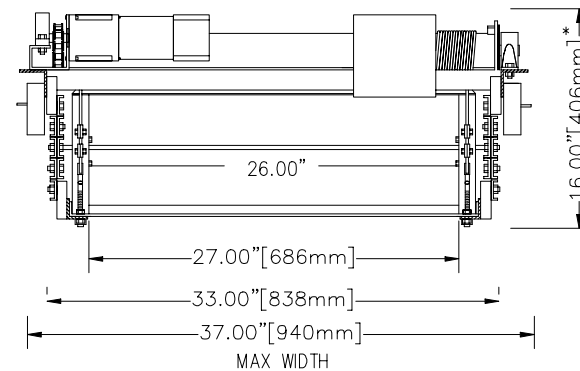
(SVS 7-9 SHOWN)



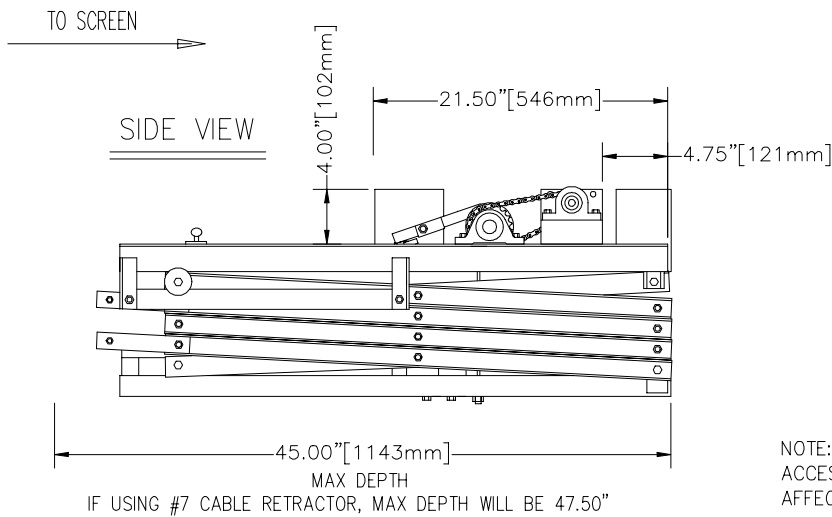
SECTION A-A

INSIDE VIEW
(SHOWN IN SHOW POSITION)

FRONT VIEW



- * HEIGHT VARIATION:
- 7-9 IS 16.00" [406mm]
 - 7-11 IS 17.50" [445mm]
 - 7-13 IS 19.00" [483mm]
 - 7-15 IS 20.50" [521mm]
 - 7-18 IS 22.00" [559mm]
 - 7-20 IS 23.50" [597mm]
 - 7-22 IS 25.00" [635mm]



NOTE: FOR REFERENCE ONLY—
ACCESSORIES/PROJECTOR MAY
AFFECT OVERALL DIMENSIONS.

© COPYRIGHT	SCALE APPROX.	SVS INC.	
DRAWN BY: S.M.	4-96	PROJECT SVS-7 LIFT	
CHECKED BY: C.H.	4-96	U.S. PATENT # 5,261,645 & # 5,366,203	
DESIGNED BY: SVS	10-91	DRAWING NO. svS-7.dwg	DESCRIPTION DIMENSIONS
CAGE CODE: OKPR7	2-89	SERIAL NO. 1205 AND UP	RELEASE DATE REV.1 3-96
PHONE: 850-522-4747			