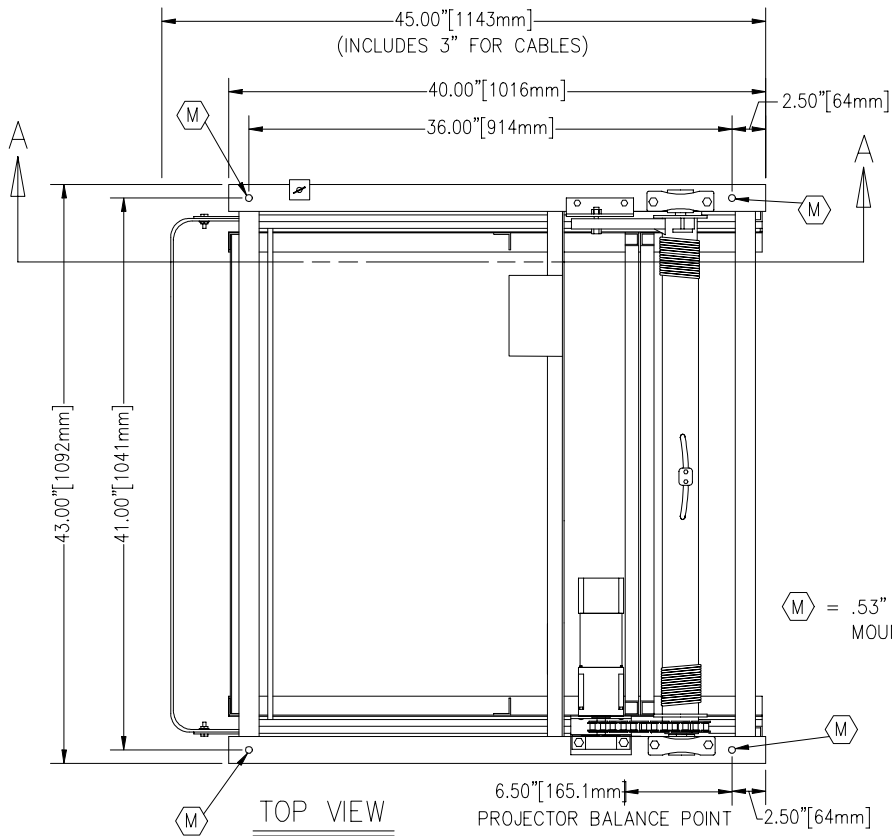


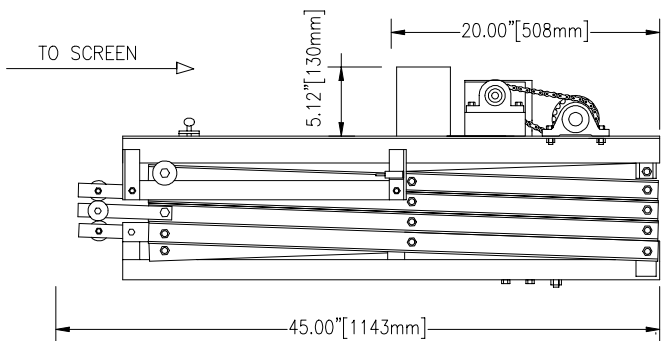
SVS 7EX SERIES PROJECTOR LIFTS

(SVS 7EX-9 SHOWN)



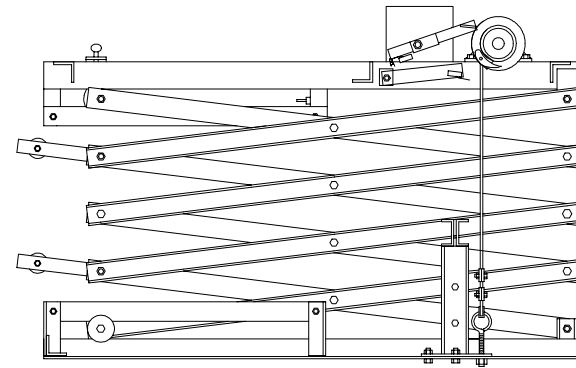
TOP VIEW

M = .53" [13.5mm] DIA.
MOUNTING HOLE



SIDE VIEW

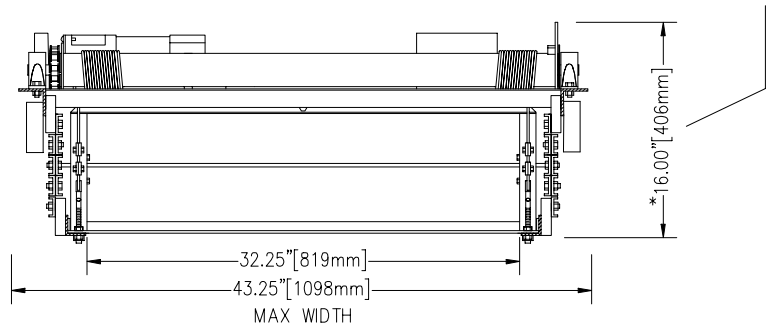
IF USING #7 CABLE RETRACTOR MAX DEPTH WILL BE 47.5" [1207mm]



SECTION A-A
INSIDE VIEW
(SHOWN IN SHOW POSITION)

*HEIGHT VARIATION:

- 7EX-9 IS 16.00" [406mm]
- 7EX-11 IS 17.50" [445mm]
- 7EX-13 IS 19.00" [483mm]
- 7EX-15 IS 20.50" [521mm]
- 7EX-18 IS 22.00" [559mm]
- 7EX-20 IS 23.50" [597mm]
- 7EX-22 IS 25.00" [635mm]



FRONT VIEW

NOTE: FOR REFERENCE ONLY-
ACCESSORIES/PROJECTOR MAY
AFFECT OVERALL DIMENSIONS.

© COPYRIGHT		SCALE APPROX	SVS INC.	
DRAWN BY:	S.M.	4-96	MODEL 7EX LIFT	
CHECKED BY:	C.H.	4-96	US PATENT #5,261,645 & # 5,366,203	
DESIGNED BY:	SVS	10-91	DRAWING NO.	DESCRIPTION
CAGE CODE:	OKPR7	2-89	SVS-7EX	DIMENSIONS
PHONE	850-522-4747		SERIAL NO.	RELEASE DATE rev 2
			1205 AND UP	9-01