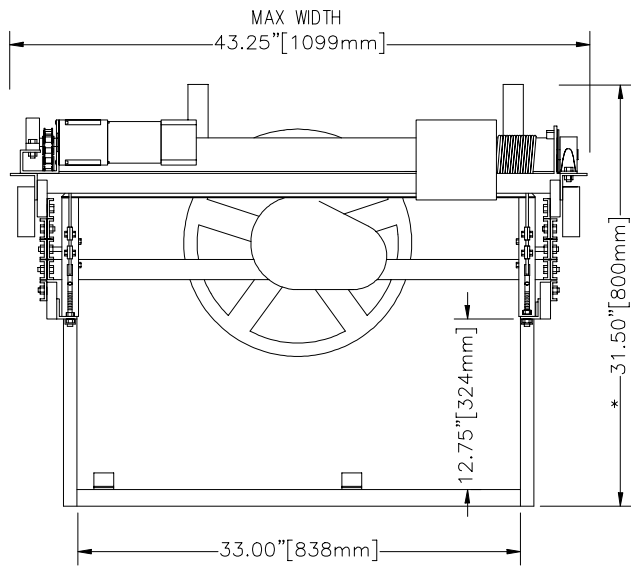


# SVS 7HSE SERIES PROJECTOR LIFTS

LOW PROFILE VERSION, REMOVABLE PLATFORM

(PROJECTOR CAN BE SERVICED BY PLACING PROJECTOR & PLATFORM ON CART)

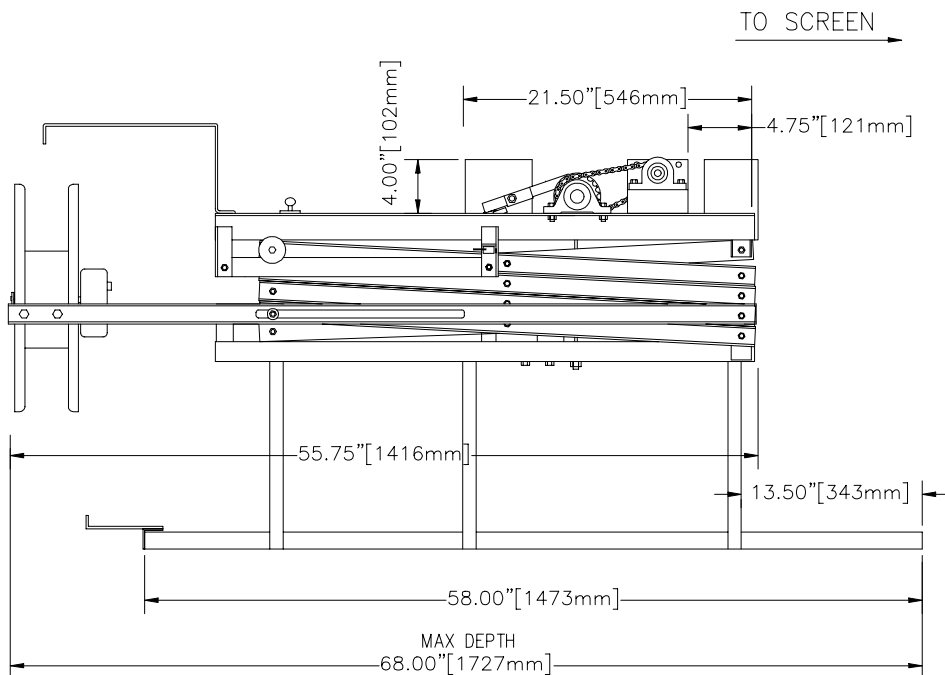
(SVS 7HSE-9 SHOWN)



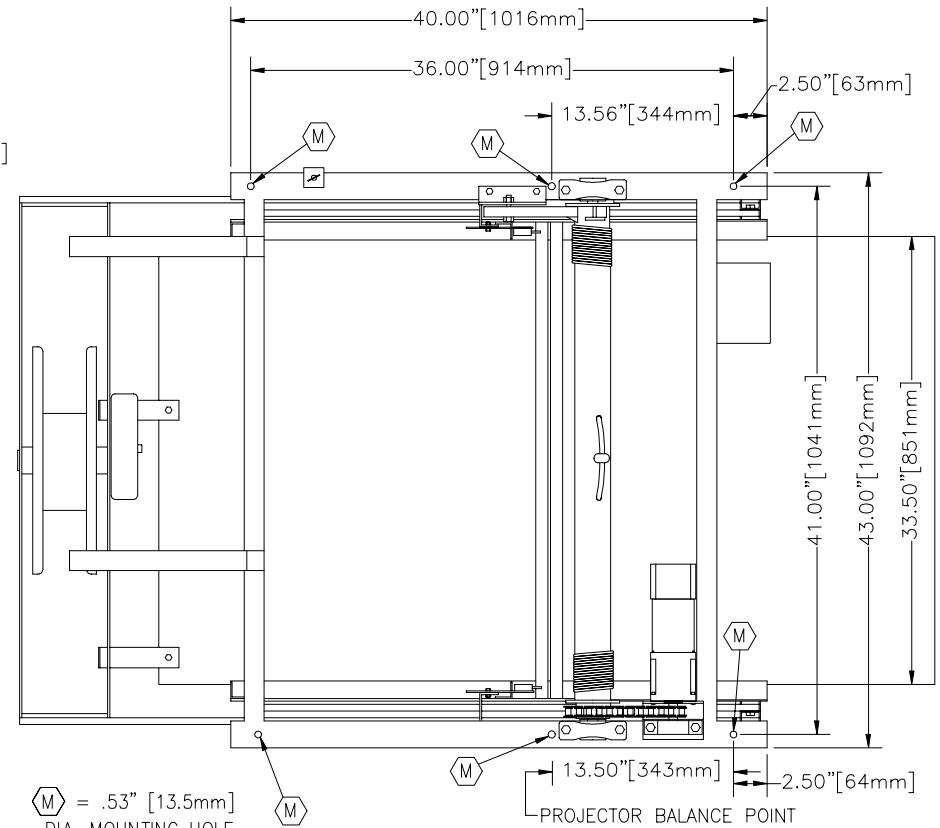
FRONT VIEW

\* HEIGHT VARIATION:

7HSE-9	IS	31.50"	[800mm]
7HSE-11	IS	33.00"	[838mm]
7HSE-13	IS	34.50"	[876mm]
7HSE-15	IS	36.00"	[914mm]
7HSE-18	IS	37.50"	[953mm]
7HSE-20	IS	39.00"	[991mm]
7HSE-22	IS	40.50"	[1029mm]



SIDE VIEW



TOP VIEW

M = .53" [13.5mm]  
DIA. MOUNTING HOLE

NOTE: FOR REFERENCE ONLY-  
ACCESSORIES/PROJECTOR MAY  
AFFECT OVERALL DIMENSIONS.

© COPYRIGHT		SCALE APPROX.	SVS INC.	
DRAWN BY:	S.M.	5-96	PROJECT SVS-7HSE LIFT	
CHECKED BY:	C.H.	5-96	U.S. PATENT # 5,261,645 & # 5,366,203	
DESIGNED BY:	SVS	10-91	DRAWING NO.	DESCRIPTION
CAGE CODE:	OKPR7	2-89	svs-7hse.dwg	SVS-7HSE LOW PROFILE
PHONE: 850-522-4747			SERIAL NO.	RELEASE DATE REV.1
			960 AND UP	5-96