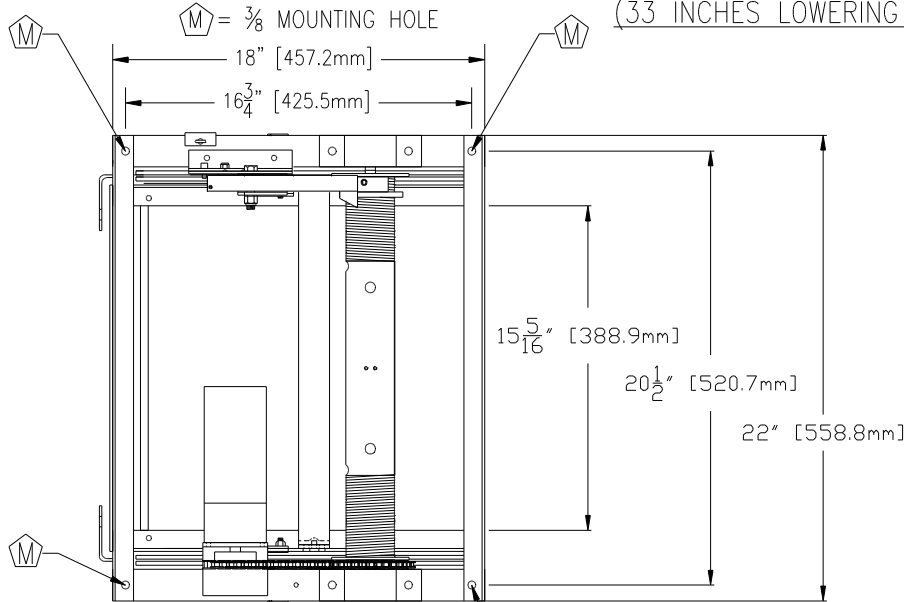


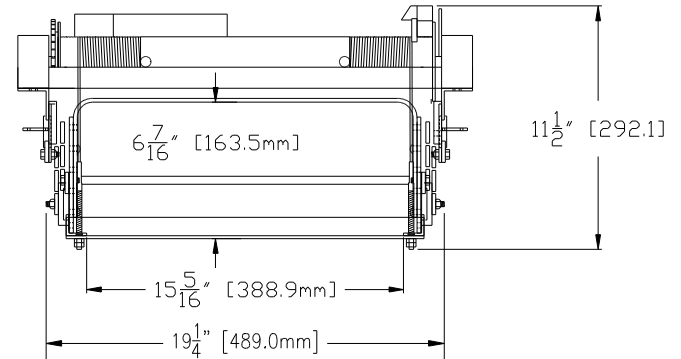
SVS M2X LIFT

(33 INCHES LOWERING DISTANCE SHOWN)

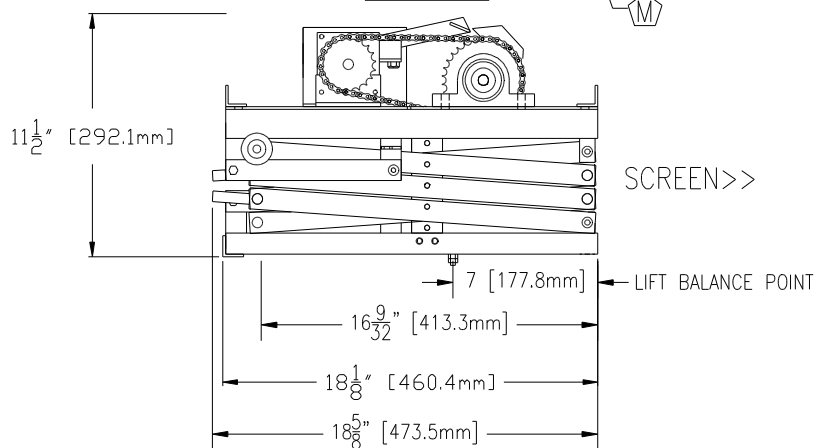
TOP VIEW



FRONT VIEW



SIDE VIEW



HEIGHT VARIATION:

LIFT HEIGHT	LOWER DISTANCE
11.5" (292.1mm)	33" (838.2mm)
12.5" (317.5mm)	44" (1117.6mm)
13.5" (342.9mm)	55" (1397.0mm)
14.5" (368.3mm)	66" (1676.4mm)

SPECIFICATIONS:

TRAVEL DISTANCE: UP TO 66 INCHES
 WEIGHT CAPACITY: 75 LBS
 VOLTAGE: 110V-60hz/220V-50hz
 Current Draw: .3 AMPS/ .15 AMPS
 LOW VOLTAGE CONTROL: 24VAC (CONTACT CLOSURE)
 MATERIALS: STEEL

* ALL DIMENSIONS ARE IN INCHES UNLESS OTHERWISE INDICATED.
 * SPECIFICATIONS & ILLUSTRATIONS ARE BASED ON INFORMATION AT TIME OF PRINTING.
 * THE RIGHT IS RESERVED TO MAKE CHANGES IN SPECIFICATIONS, MATERIALS, MODELS, AND APPEARANCE OR TO DISCONTINUE MODELS AT ANY TIME WITHOUT NOTICE.
 * IF YOU HAVE ANY QUESTIONS OR NEED MORE INFORMATION PLEASE CONTACT SVS AT 850-522-4747 OR SALES@SVSLIFTS.COM.

© COPYRIGHT		SCALE: APPROX.	SVS, INC.	
DRAWN BY:	D.B.	5-06		
CHECKED BY:	G.G.	5-06	MODEL M2X PROJECTOR LIFT US PATENT #5,261,645 & #5,366,203	
DESIGNED BY:	G.G.	5-06	DRAWING NO. M2X.dwg	DESCRIPTION DIMENSION
CAGE CODE:	OKPR7	2-89	SERIAL NO. 5000 & UP	RELEASE DATE 4/21/2009
PHONE:	850-522-4747			