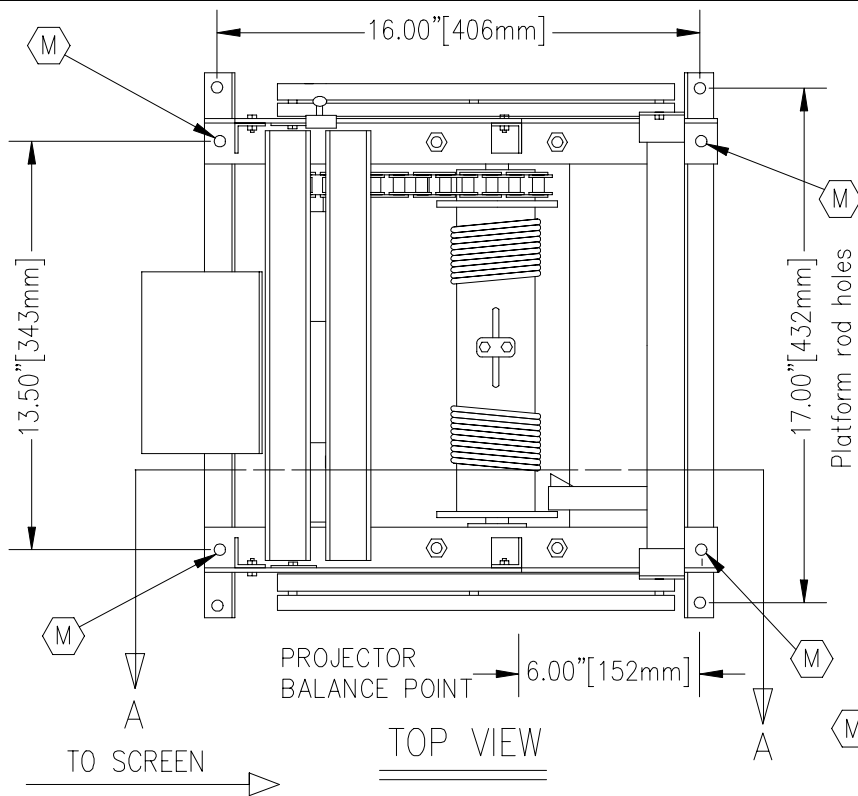


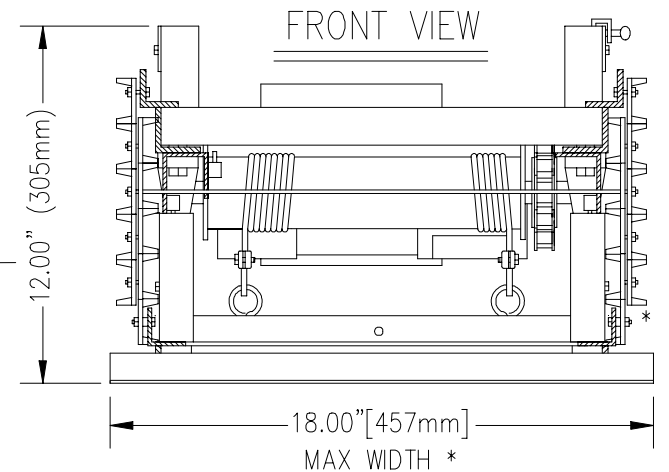
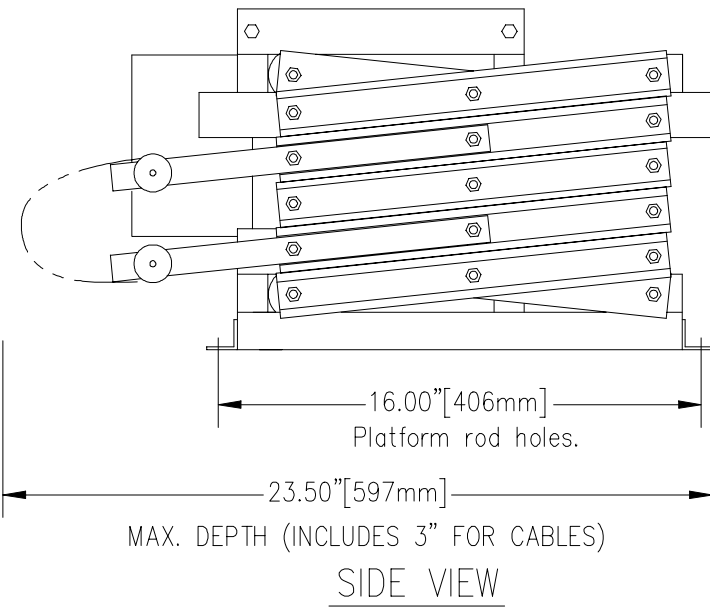
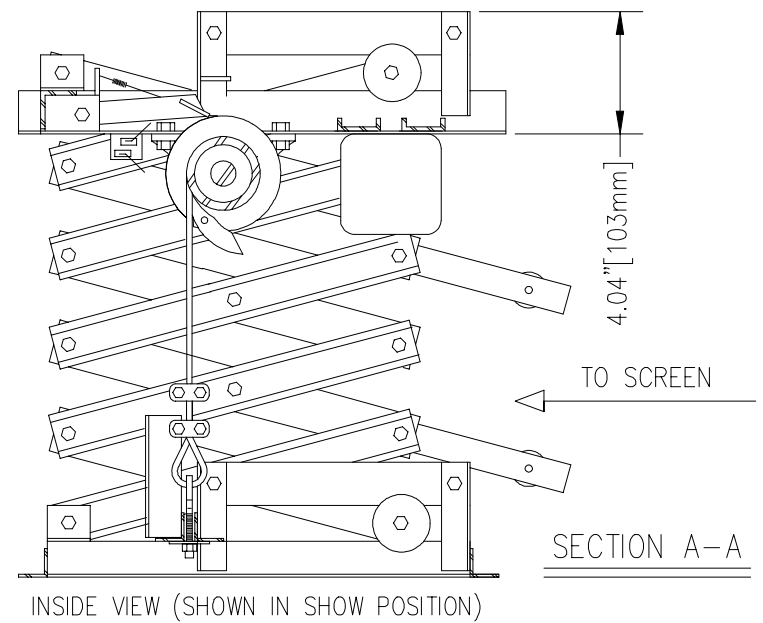
SVS MINI 4 SERIES PROJECTOR LIFTS (SVS MINI 4-3 SHOWN)



Ⓜ = .375" [9.5mm] DIA. MOUNTING HOLE

***HEIGHT VARIATION:**

- MINI 4-3 IS 12.00" [305mm]
- MINI 4-5 IS 15.00" [381mm]
- MINI 4-6 IS 18.00" [457mm]



* IF USING 2 x 2 COMPACT CABLE MANAGEMENT ADD 1" TO WIDTH.

NOTE: FOR REFERENCE ONLY- ACCESSORIES/PROJECTOR MAY AFFECT OVERALL DIMENSIONS.

© COPYRIGHT		SCALE: APPROX.	SVS, INC.	
DRAWN BY:	S.M.	4-96	MODEL MINI 4 PROJECTOR LIFT	
CHECKED BY:	C.H.	4-96	US PATENT #5,261,645 & #5,366,203	
DESIGNED BY:	SVS	4-92	DRAWING NO.	DESCRIPTION
CAGE CODE:	OKPR7	2-89	svs-m4.dwg	DIMENSION
PHONE:	850-522-4747		SERIAL NO.	RELEASE DATE
			3100 AND UP	REV.4 5-01