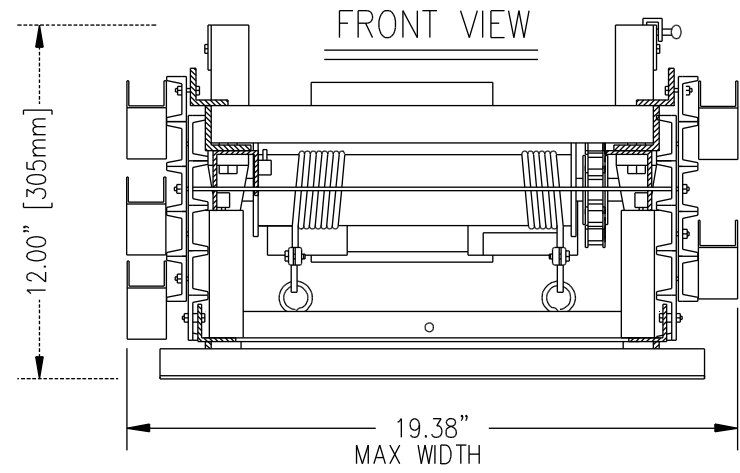
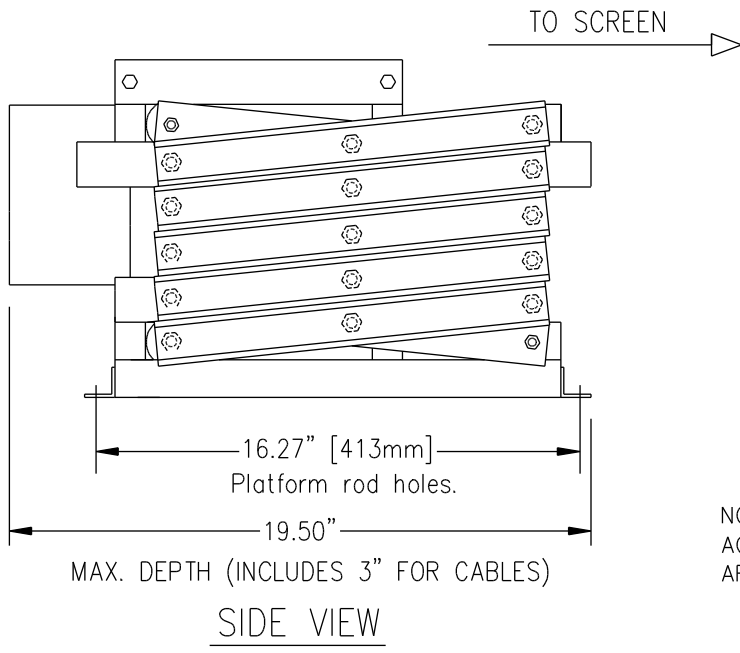
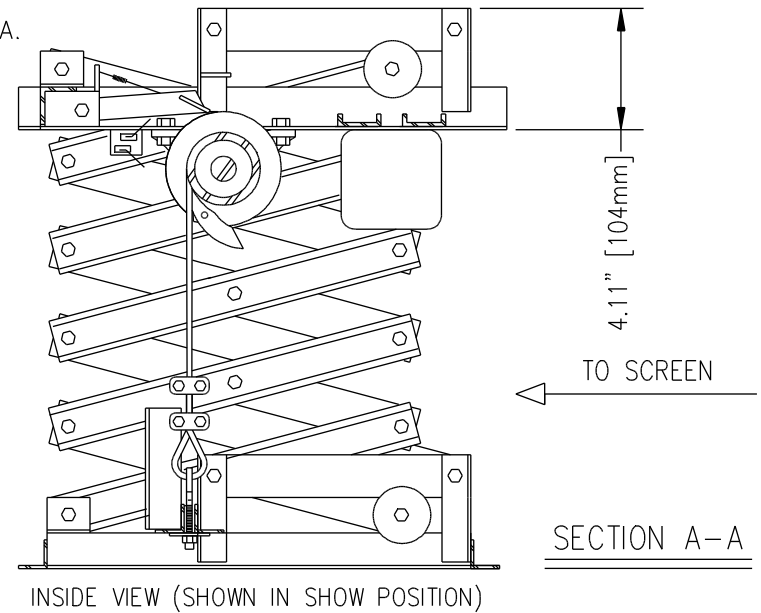
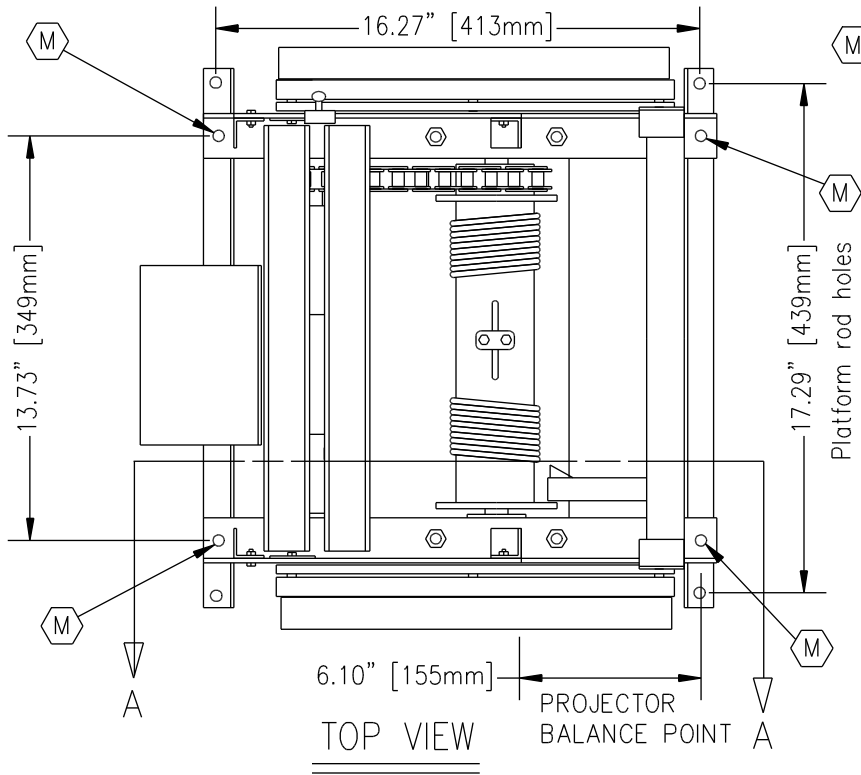


SVS MINI 4-3 SERIES PROJECTOR LIFT WITH 2'X2' CABLE MANAGEMENT



NOTE: FOR REFERENCE ONLY—ACCESSORIES/PROJECTOR MAY AFFECT OVERALL DIMENSIONS.

© COPYRIGHT		SCALE: APPROX.	SVS, INC.	
DRAWN BY:			MODEL MINI 4 PROJECTOR LIFT	
CHECKED BY:			US PATENT #5,261,645 & #5,366,203	
DESIGNED BY: SVS			DRAWING NO. svs-m4-3_2x2	DESCRIPTION DIMENSION
CAGE CODE: OKPR7			SERIAL NO. 3100 AND UP	RELEASE DATE REV. 1 11-22-00
PHONE: 850-522-4747				