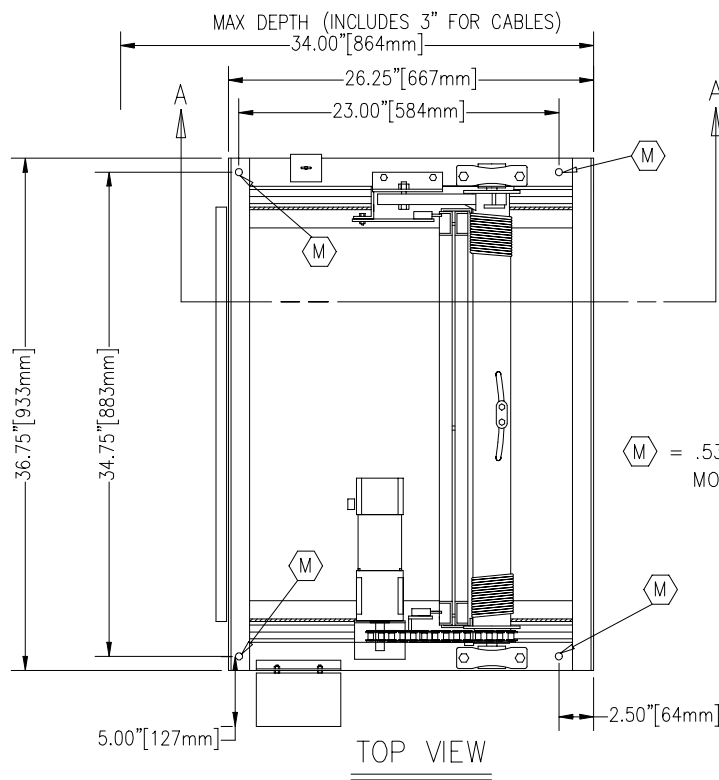


SVS MINI 7 SERIES PROJECTOR LIFTS

(SVS MINI 7-4 SHOWN)

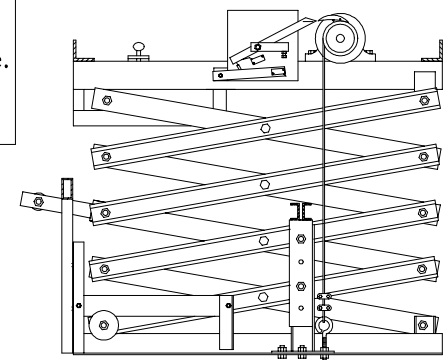


Note location of electrical box.

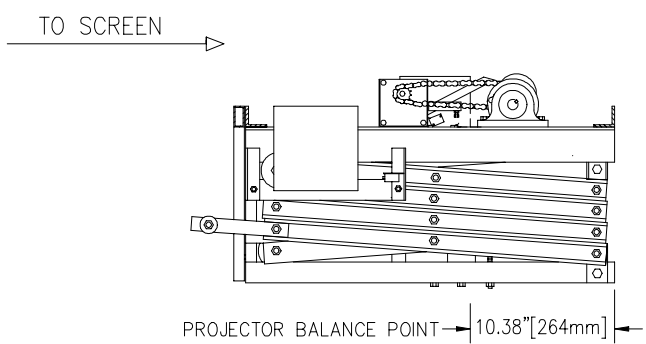
Mounting holes of lift are generally centered side to side within SVS specified ceiling hole.

Allowance must be made above ceiling hole for electrical box and access.

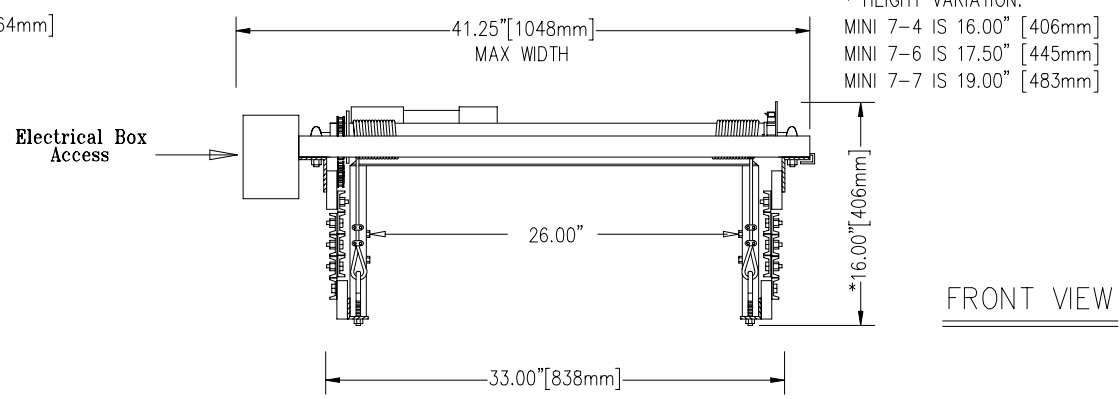
M = .53" [13.5mm] DIA. MOUNTING HOLE



SEC A-A
INSIDE VIEW
(SHOWN IN SHOW POSITION)



SIDE VIEW



FRONT VIEW

NOTE: FOR REFERENCE ONLY—
ACCESSORIES/PROJECTOR MAY
AFFECT OVERALL DIMENSIONS.

© COPYRIGHT	SCALE APPROX	SVS INC.	
DRAWN BY: S.M.	4-96	MODEL SVS MINI 7	
CHECKED BY: C.H.	4-96	US PATENT #5,261,645 & #5,366,203	
DESIGNED BY: SVS	10-91	DRAWING NO. SVS-M7	DESCRIPTION DIMENSIONS
CAGE CODE: OKPR7	2-89	SERIAL NO. 1205 AND UP	RELEASE DATE rev 3 9-01
PHONE 850-522-4747			

SVS MINI 7 SERIES PROJECTOR LIFTS