

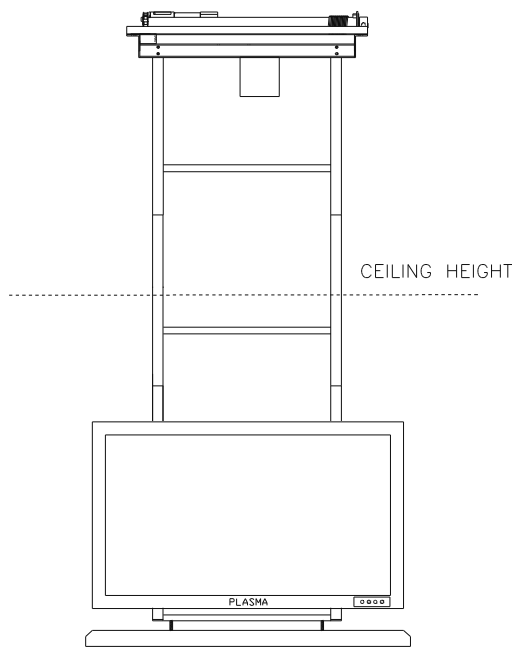
SVS CEILING LIFTS

For display screens up to 60"

SVS PLASMA TWO



FRONT VIEW LOWERED



PRODUCT FEATURES

Designed to support 40, 50 & some 60" display screens (one model fits all), the SVS Plasma-Two Lift lowers and raises the screen straight up and down from the ceiling. With a strong lifting capacity [up to 400 lbs] and a standard lowering distance of 52" [1.32m], the Plasma Two lift is an ideal solution for your commercial or residential installation. Note: Custom Applications available upon request.

- Versatile: Supports 40", 50"& some 60" plasma screens (*one lift model fits all screens*)
- Two positions (*raised and lowered*): the lift is stored in the false ceiling when not in use and lowered for viewing
- Quiet & Strong Motor
- Low Voltage controller (24vac) supplied with the lift
- Patented Fail Safe Drum Lock System
- Precision Grooved Drum: insures quiet and consistent cable pick-up & release.
- Warranty: 5 Year parts, one year motor and 90 day factory labor.

SPECIFICATIONS

Overall Unit Size (W X H X D)	36.63" x 41.75" x 14" [930 mm x 1060 mm x 356 mm]
Required space above the ceiling	Varies with screen model
Lowering Distance	52" [1.32m]
Lifting Capacity	Up to 400 lbs. [181.4 kg]
Net Weight	147 lbs [66.6 kg]
Approx. Shipping Weight (lift only)	280 lbs [127 kg]

STANDARD SPECIFICATIONS

Voltage	110v/220V, 60/50hz
Current Draw	2.3 amps [110v], 1.2 amps [220v]
Control Voltage	24 VAC (contact closure)
Materials	Steel

RECOMMENDED ACCESSORIES

FP1 Ceiling Closure * - Fixed mounted flat closure panel- Lipped or Lipless- Supplied with 15/16" ceiling trim ring. Ceiling material attaches to the bottom of panel or closure can be painted- Supplied unpainted

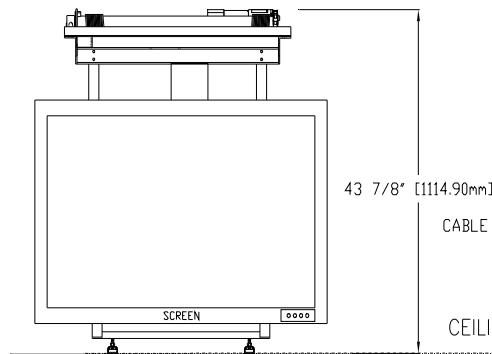
PMT-9 - Fixed mounting bracket used to attach the flat panel display to the lift

(* Custom accessories/non-returnable)

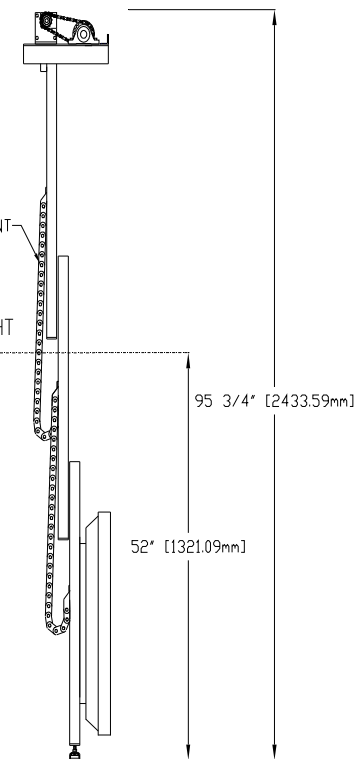
#2 Plenum Shroud*- Protective Metal cover for lift and display screen in air plenum rated ceiling.

U.S. Patent No. 5,261,645 & 5,366,203

FRONT VIEW RAISED



SIDE VIEW LOWERED



SIDE VIEW RAISED

