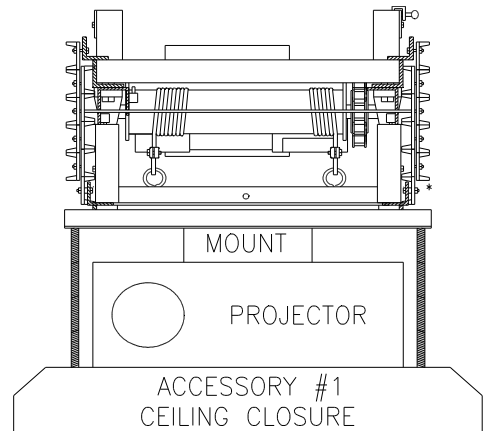


SVS CEILING LIFTS

For small projectors

SVS TL1 Series



PRODUCT FEATURES

- Small footprint- Supports small to medium size projectors
- Lowering distances from 45.5" to 72.8" [1.15 m to 1.85m]
- Lifting Capacity up to 75 lbs [34 kg]
- Three positions: Stored, Show (adjustable) & Service
- Includes 24VAC wall plate controller for low voltage control & standard video cable management system.
- Very quiet operation
- Warranty: 5 Year parts, 1 year motor & 90 day factory labor

SPECIFICATIONS

LIFT MODEL	MAXIMUM LOWERING DISTANCE	VERTICAL HEIGHT OF LIFT IN CLOSED POSITION (1) LIFT ONLY	PHYSICAL DIMENSIONS			
			WIDTH	DEPTH	NET WEIGHT	SHIPPING WEIGHT
TL1-45	45.5" / 1.15 m	9" / 229 mm	18" / 457.2 mm	21.25" / 541 mm	59 lbs / 26.7 kg	99 lbs / 45 kg
TL1-54	54.6" / 1.38m	10" / 254mm			66 pounds / 30 kg	106 lbs / 48 kg
TL1-63	63.7" / 1.61m	11" / 279 mm			72 lbs / 32.6 kg	112 lbs / 51 kg
TL1-72	72.8" / 1.85m	12" / 305mm			80 lbs / 36.28 kg	120 lbs / 54.4 kg

(1) Vertical height does not include projector, projector mount and ceiling closure. Supporting structure is additional

STANDARD SPECIFICATIONS

Voltage 110v/220V, 60/50hz
Current Draw .66 amps [110v], .33 amps [220v]
Control Voltage 24 VAC (contact closure)
Materials Steel/Aluminum/Nylon

RECOMMENDED ACCESSORIES

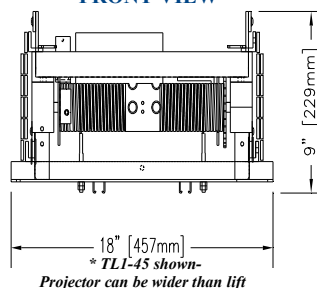
#1 Ceiling Closure - Self-aligning closure system complete with ceiling framework. Supplied with 15/16" ceiling trim ring. Designed to accept ceiling tile or dry wall ceiling. Supplied unpainted.

FP1 Ceiling Closure -Fixed mounted flat closure panel- Lipped or Lipless. Supplied with 15/16" ceiling trim ring. Ceiling material attaches to the bottom of the panel or closure may be painted. Supplied unpainted.

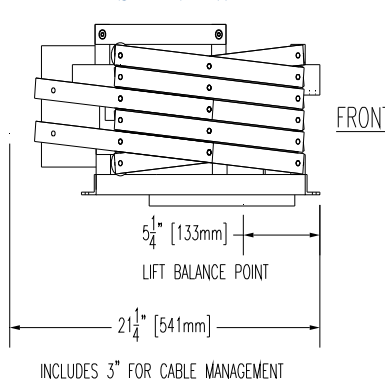
#2 Plenum Shroud- Protective Metal cover for lift lift and projector in air plenum rated ceiling.

#9 Mount - Mounting bracket used to attach the projector to the saddle of the lift in an inverted position (model varies with the projector model).

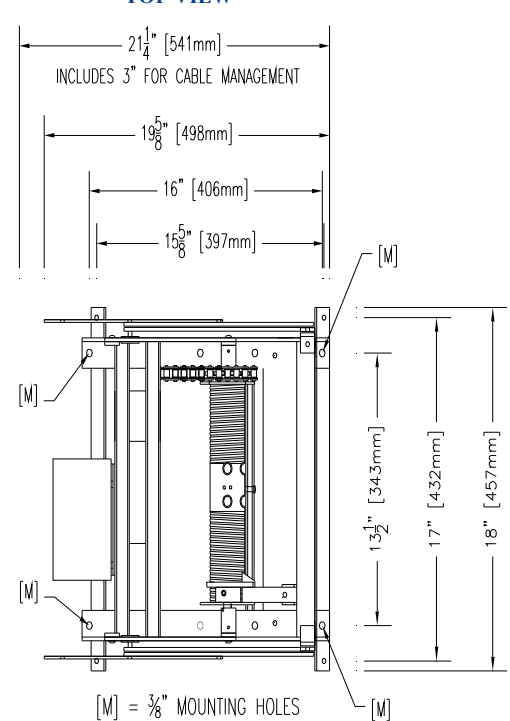
FRONT VIEW



SIDE VIEW



TOP VIEW



U.S. Patent No. 5,261, 645 & 5, 366,203

Eastern Sales/ Main Office
 Tel: 850-522-4747
 Fax: 850-522-4739

Western Sales Office
 Tel: 720-283-6410
 Fax: 720-283-6424

International Sales Office
 Tel: 001-720-283-6410
 Fax: 001-720-283-6424

www.svslifts.com
 sales@svslifts.com