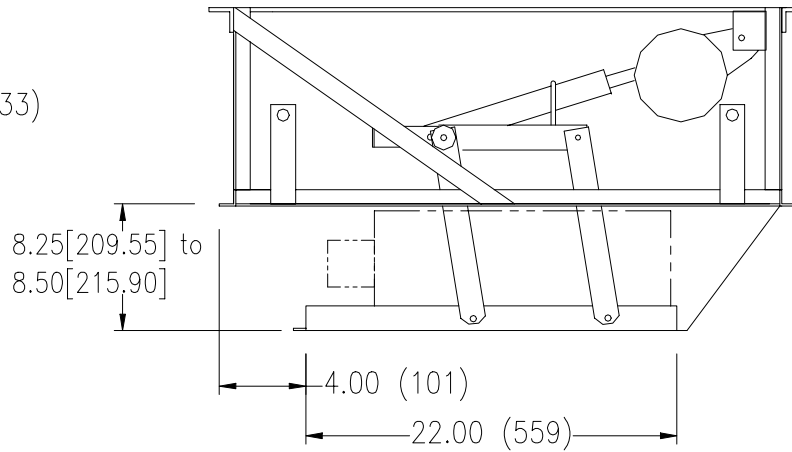
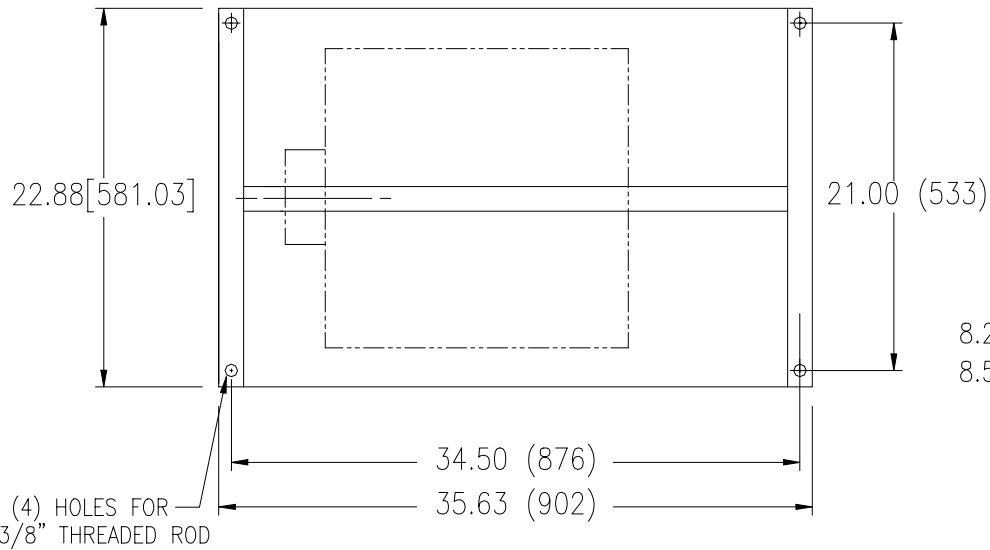
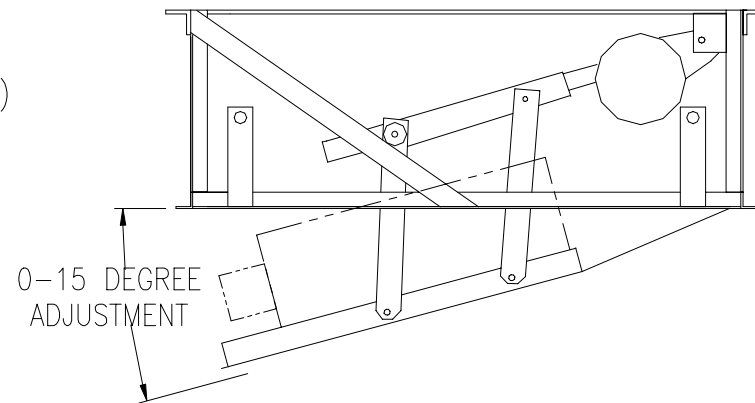
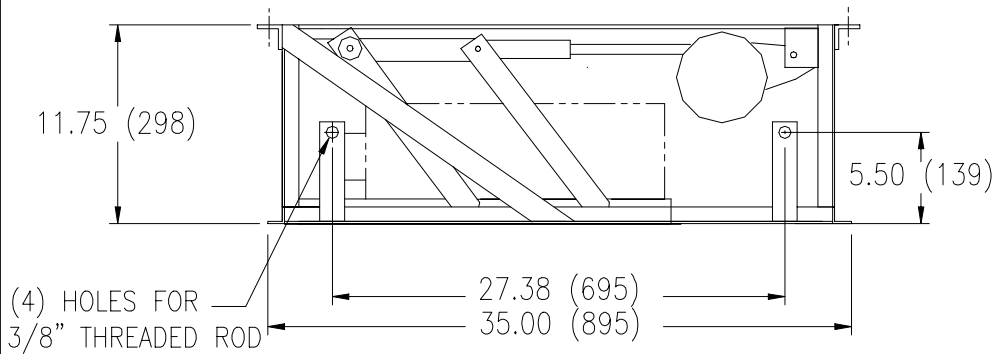


# LCD-1S LIFT



OPEN: LEVEL POSITION



OPEN: TILTED POSITION

## SPECIFICATIONS:

LIFT CAPACITY: 50 LBS  
 MAXIMUM PROJECTOR SIZE: 8.75" ht X 17"w X 22" DP W/MTG BRACKETS.  
 MAXIMUM PROJECTOR SIZE: 8.75" ht X 18"w X 22" DP W/O MTG BRACKETS.  
 MINIMUM CLEARANCE: 11.75"  
 LOWERING DISTANCE: 8.25" TO 8.50" WITH 0-15 DEGREES TILT  
 CEILING OPENING USING SUPPLIED SVS TRIM RING: 23.375" X 35.50"  
 CEILING OPENING USING EXISTING TRIM RING: 22.88" X 35.00"  
 VOLTAGE: 110V, 60HZ  
 CURRENT DRAW: 1.4 AMP  
 MATERIALS: STEEL/ALUMINUM

NET WEIGHT: 75 LBS

© COPYRIGHT		SVS INC.	
DRAWN BY:	W.S.	MODEL	
CHECKED BY:		LCD-1S	
DESIGNED BY:	SVS	DRAWING NO.	DESCRIPTION
CAGE CODE:		SERIAL NO.	RELEASE DATE rev 3
PHONE	850-522-4747		2-2001