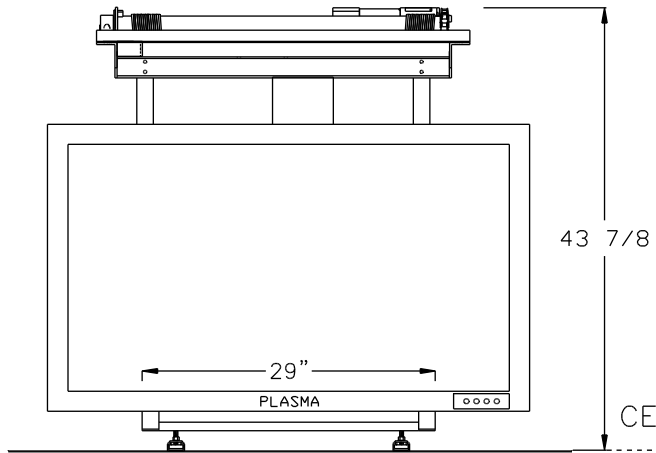


SVS PLASMA TWO VERTICAL LIFT

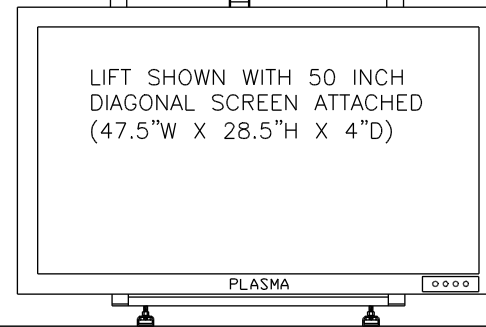
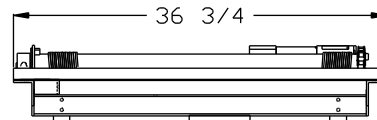
FRONT VIEW RAISED



CLOSED HEIGHT: 42.75 INCHES
 TRAVEL DISTANCE: 50.75
 LIFT CAPACITY: UP TO 400 LBS (181.44kg)

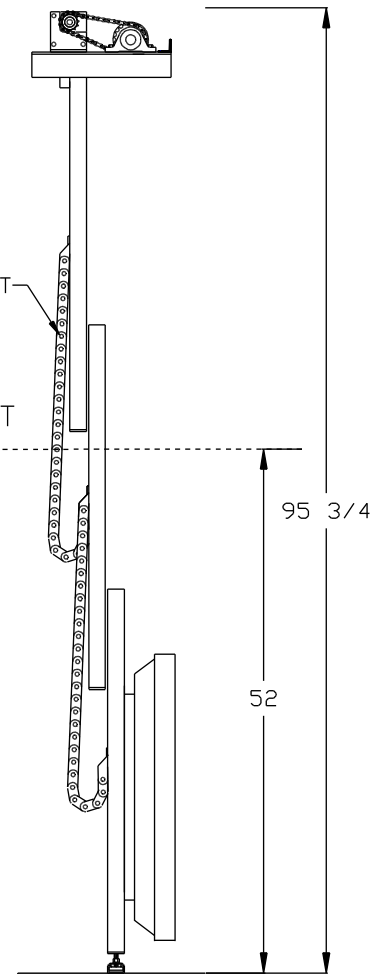
STANDARD SPECIFICATIONS:
 VOLTAGE: 110VAC@2.3AMP/220VAC@1.2AMP
 CONTROL LOW VOLTAGE : 24VAC
 MATERIALS: STEEL

FRONT VIEW LOWERED

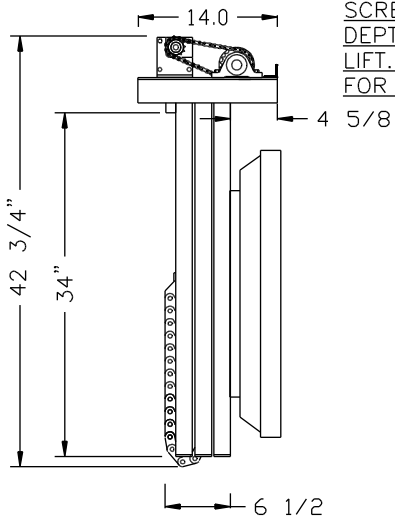


LIFT SHOWN WITH 50 INCH
 DIAGONAL SCREEN ATTACHED
 (47.5"W X 28.5"H X 4"D)

SIDE VIEW LOWERED

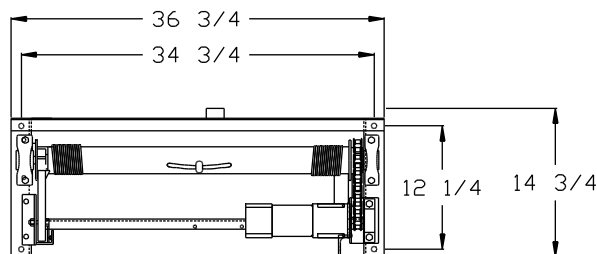


SIDE VIEW RAISED



SCREEN WILL INCREASE 14"
 DEPTH OF THE PLASMA 2
 LIFT. PLEASE CONTACT SVS
 FOR DEPTH.

TOP VIEW



OPTIONAL FP1
 CEILING CLOSURE

© COPYRIGHT	SCALE APPROX	SVS INC.	
DRAWN BY: D.B.		MODEL SVS PLASMA TWO US PATENT IN PROGRESS	
CHECKED BY: G.G.		DRAWING NO. PLASMA 2	DESCRIPTION DIMENSIONS
DESIGNED BY: SVS		SERIAL NO.	RELEASE DATE 01/30/07
CAGE CODE: OKPR7	2-89		
PHONE: 850-522-4747			