

SVS TL1 SERIES PROJECTOR LIFTS (SVS TL1-45 SHOWN)

LIFT SPECIFICATIONS:

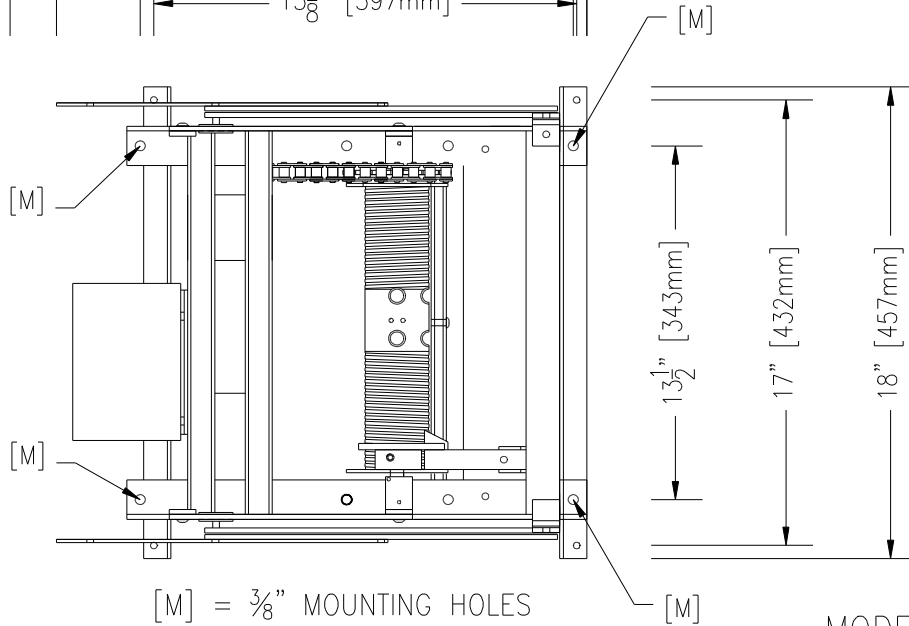
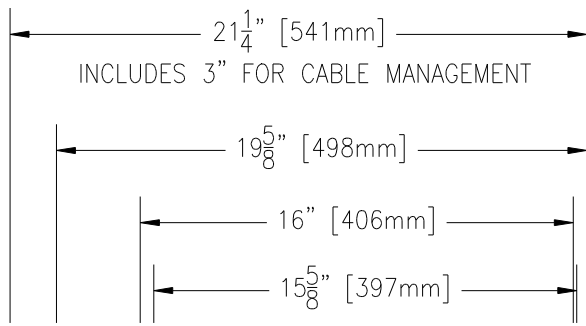
LIFT CAPACITY: 75 LBS (34.0 kg)

NET WEIGHT (TL1-45) 59.0 LBS (26.76 kg)

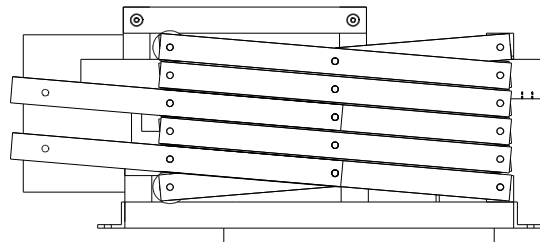
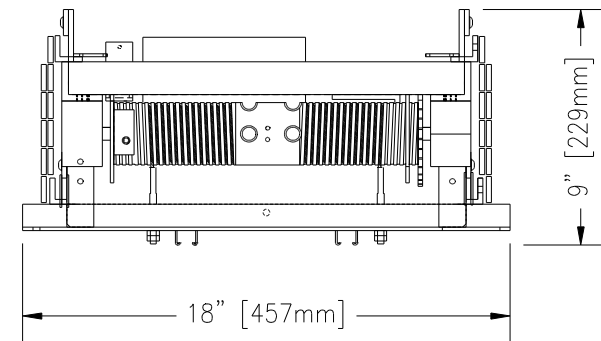
VOLTAGE/HZ/AMPS:

110V/60HZ/.66 AMPS

220V/50HZ/.34 AMPS



[M] = 3/8" MOUNTING HOLES



FRONT

5 1/4" [133mm]
LIFT BALANCE POINT



INCLUDES 3" FOR CABLE MANAGEMENT

| MODEL | HEIGHT CLOSED | LOWERING DISTANCE |
|--------|-------------------|-----------------------|
| TL1-45 | 9-INCHES (229mm) | 45.5-INCHES (115.6cm) |
| TL1-54 | 10-INCHES (254mm) | 54.6-INCHES (138.7cm) |
| TL1-63 | 11-INCHES (279mm) | 63.7-INCHES (161.8cm) |
| TL1-72 | 12-INCHES (305mm) | 72.8-INCHES (185.0cm) |

| | | | |
|---------------------|--------------|---|------------------------------|
| © COPYRIGHT | SCALE APPROX | SVS INC. | |
| DRAWN BY: D.B. | | MODEL SVS TL1 DIMENSIONS US PATENT #5,261,645 & #5,366,203 | |
| CHECKED BY: G.G. | | DRAWING NO. SVS TL1-45.DWG | DESCRIPTION DIMENSIONS |
| DESIGNED BY: SVS | | SERIAL NO. 0000 & UP | RELEASE DATE MAY 13, 2010 |
| CAGE CODE: OKPR7 | 2-89 | | |
| PHONE: 850-522-4747 | | | |