

SVS TL1 2X2 SERIES PROJECTOR LIFTS (SVS TL1-45 2X2 SHOWN)

LIFT SPECIFICATIONS:

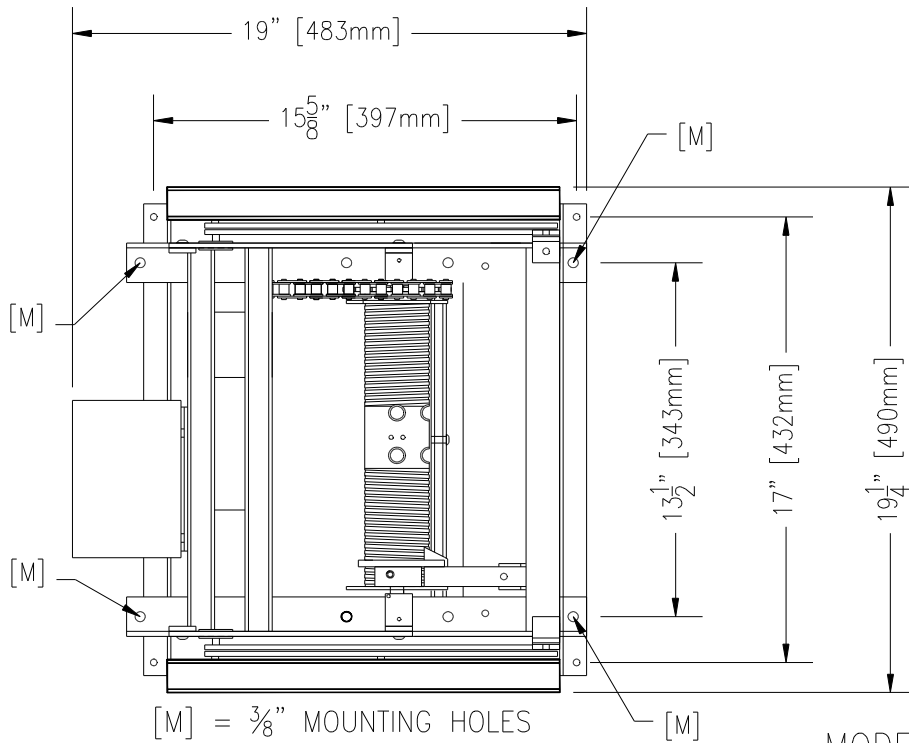
LIFT CAPACITY: 75 LBS (34.0 kg)

NET WEIGHT (TL1-45) 59.0 LBS (26.76 kg)

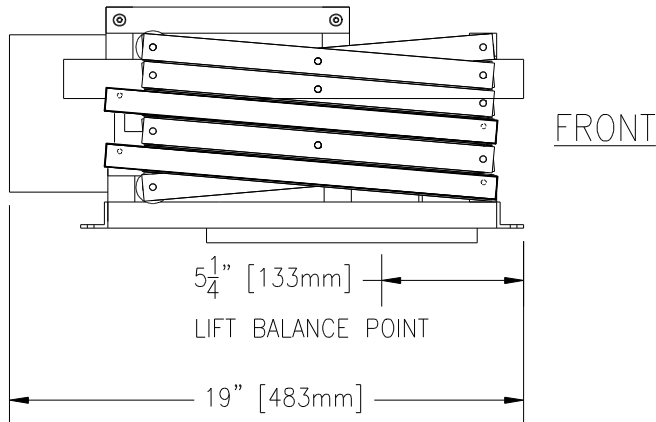
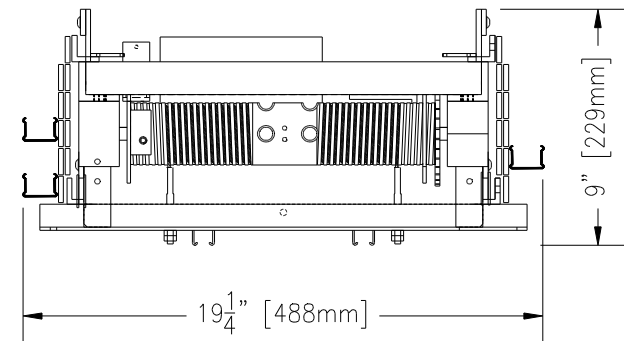
VOLTAGE/HZ/AMPS:

110V/60HZ/.66 AMPS

220V/50HZ/.34 AMPS



[M] = 3/8" MOUNTING HOLES



MODEL	HEIGHT CLOSED	LOWERING DISTANCE
TL1-45	9-INCHES (229mm)	45.5-INCHES (115.6cm)
TL1-54	10-INCHES (254mm)	54.6-INCHES (138.7cm)
TL1-63	11-INCHES (279mm)	63.7-INCHES (161.8cm)
TL1-72	12-INCHES (305mm)	72.8-INCHES (185.0cm)

© COPYRIGHT	SCALE APPROX	SVS INC.	
DRAWN BY: D.B.		MODEL SVS TL1 DIMENSIONS US PATENT #5,261,645 & #5,366,203	
CHECKED BY: G.G.		DRAWING NO. SVS TL1-45 2X2.DWG	
DESIGNED BY: SVS		SERIAL NO.	RELEASE DATE
CAGE CODE: OKPR7	2-89	0000 & UP	DEC 27, 2010
PHONE: 850-522-4747			