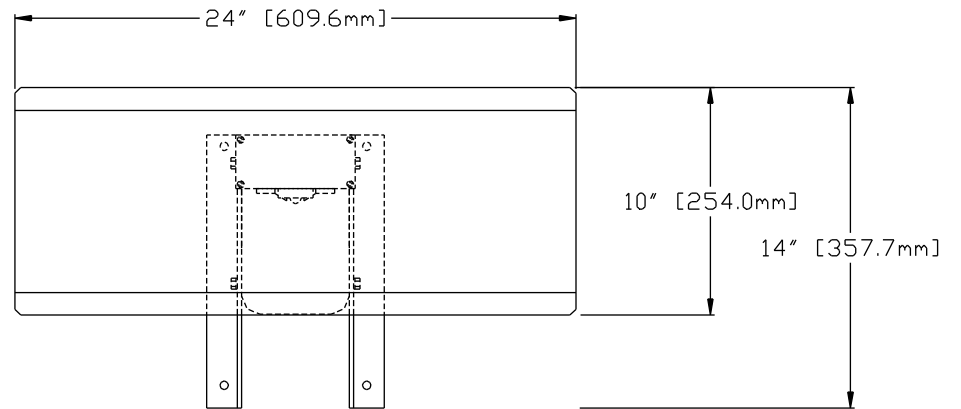


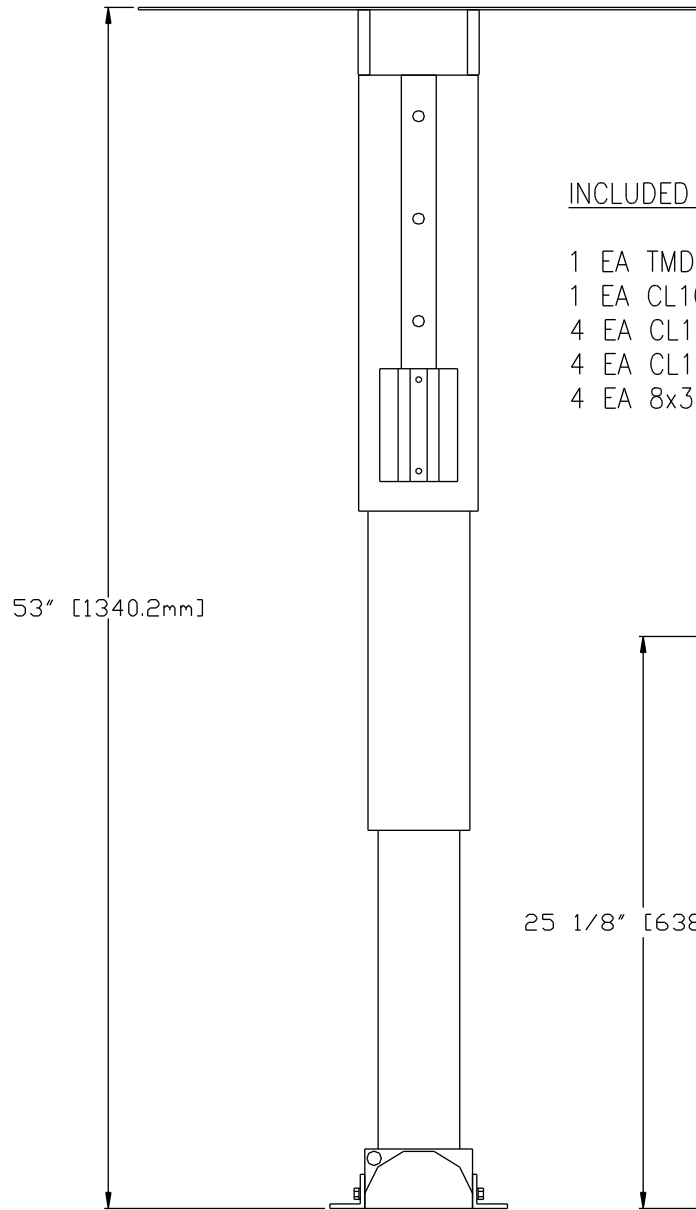
# SVS TMD LIFT WITH CLOSURE ADAPTER KIT INSTALLED

## INCLUDED PARTS:

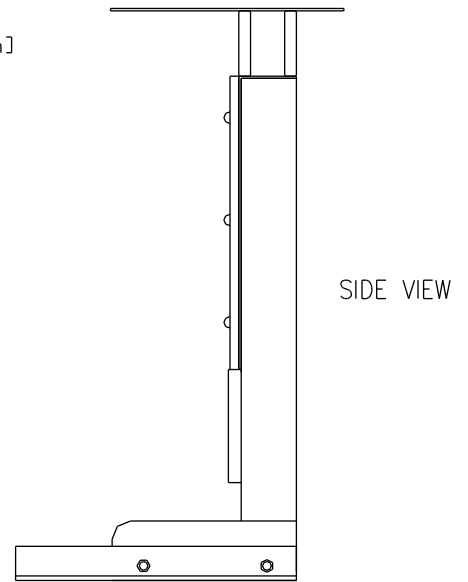
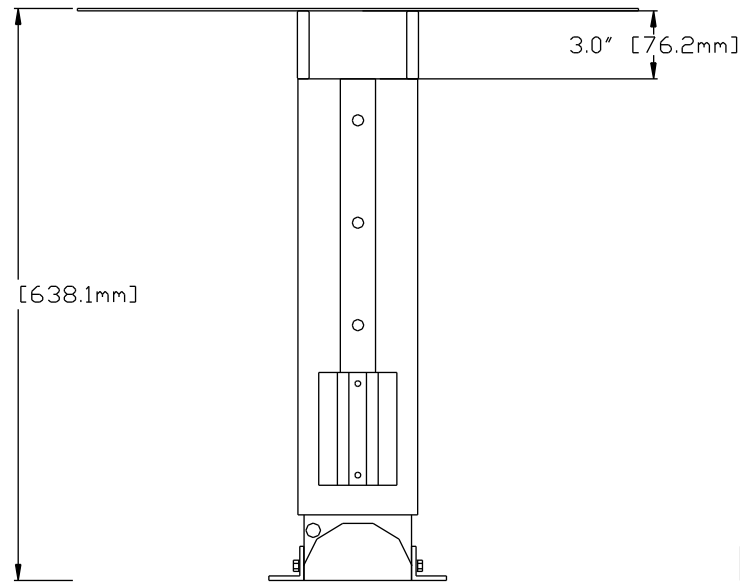
- 1 EA TMD-28
- 1 EA CL1CKP
- 4 EA CL1CAKC3
- 4 EA CL1CAKS
- 4 EA 8x32 SCREWS



TOP VIEW



FRONT VIEW



SIDE VIEW

© COPYRIGHT	SCALE APPROX	SVS INC.	
DRAWN BY: D.B.	11-03	TMD	
CHECKED BY: C.H.		DRAWING NO.	
DESIGNED BY: SVS		TMD WITH CLOSURE ADAPTER.DWG	
CAGE CODE: OKPR7	2-89	SERIAL NO.	RELEASE DATE
PHONE: 850-522-4747		0001 & UP	10/19/06