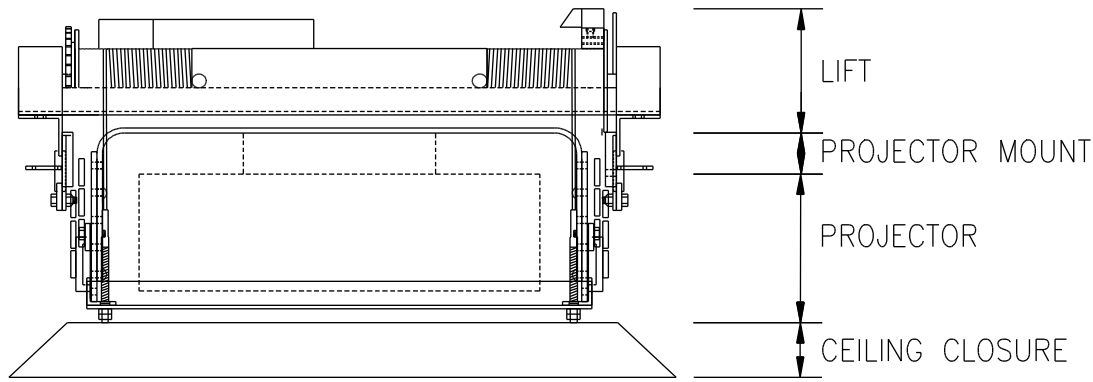


# SVS M2X SERIES PROJECTOR LIFT WORKSHEET

(USED TO DETERMINE APPROXIMATE CEILING SPACE REQUIREMENTS)



LIFT HEIGHT TABLE

LOWERING DISTANCE	LIFT HEIGHT
33	11.5
44	12.5
55	13.5
66	14.5

COLUMN A

SVS LIFT ABOVE MOUNT HEIGHT

ADD SVS #9 MOUNT HEIGHT  CAN RANGE FROM 2 TO 4.5 INCHES. 3.5 INCHES IS STANDARD.

ADD PROJECTOR/MONITOR HEIGHT  OVERALL HEIGHT OF PROJECTOR OR MONITOR BELOW #9 MOUNT.

TOTAL HEIGHT OF LIFT, MOUNT, & PROJECTOR/MONITOR =  ← CONTINUE WITH HIGHEST NUMBER. IF EQUAL CONTINUE WITH COLUMN B. →

ADD M4#1 CEILING CLOSURE, HEIGHT (2 OR 4 INCHES IS STANDARD)

ADD 2 INCHES IF PLENUM SHROUD IS USED.

TOTAL HEIGHT =  ← CEILING SPACE CLEARANCE →

COLUMN B

LIFT HEIGHT (SEE CHART ABOVE)

ADD M4#1 CEILING CLOSURE, HEIGHT (2 OR 4 INCHES IS STANDARD)

ADD 2 INCHES IF PLENUM SHROUD IS USED.

TOTAL HEIGHT

- \* ALL DIMENSION ARE IN INCHES, UNLESS OTHERWISE INDICATED
- \* SPECIFICATIONS & ILLUSTRATIONS ARE BASED ON INFORMATION AT TIME OF PRINTING.
- \* THE RIGHT IS RESERVED TO MAKE CHANGES IN SPECIFICATIONS, MATERIALS, MODELS, AND APPERANCE OR TO DISCONTINUE MODELS AT ANY TIME WITHOUT NOTICE.
- \* IF YOU HAVE ANY QUESTION OR NEED MORE INFORMATION PLEASE CONTACT SVS AT 850-522-4747 OR SALES@SVSLIFTS.COM

**TOTAL HEIGHT DOES NOT INCLUDE SUPPORT STRUCTURE FOR LIFT. (UNISTRUT, ANGLE IRON, THREADED ROD, ETC.)**