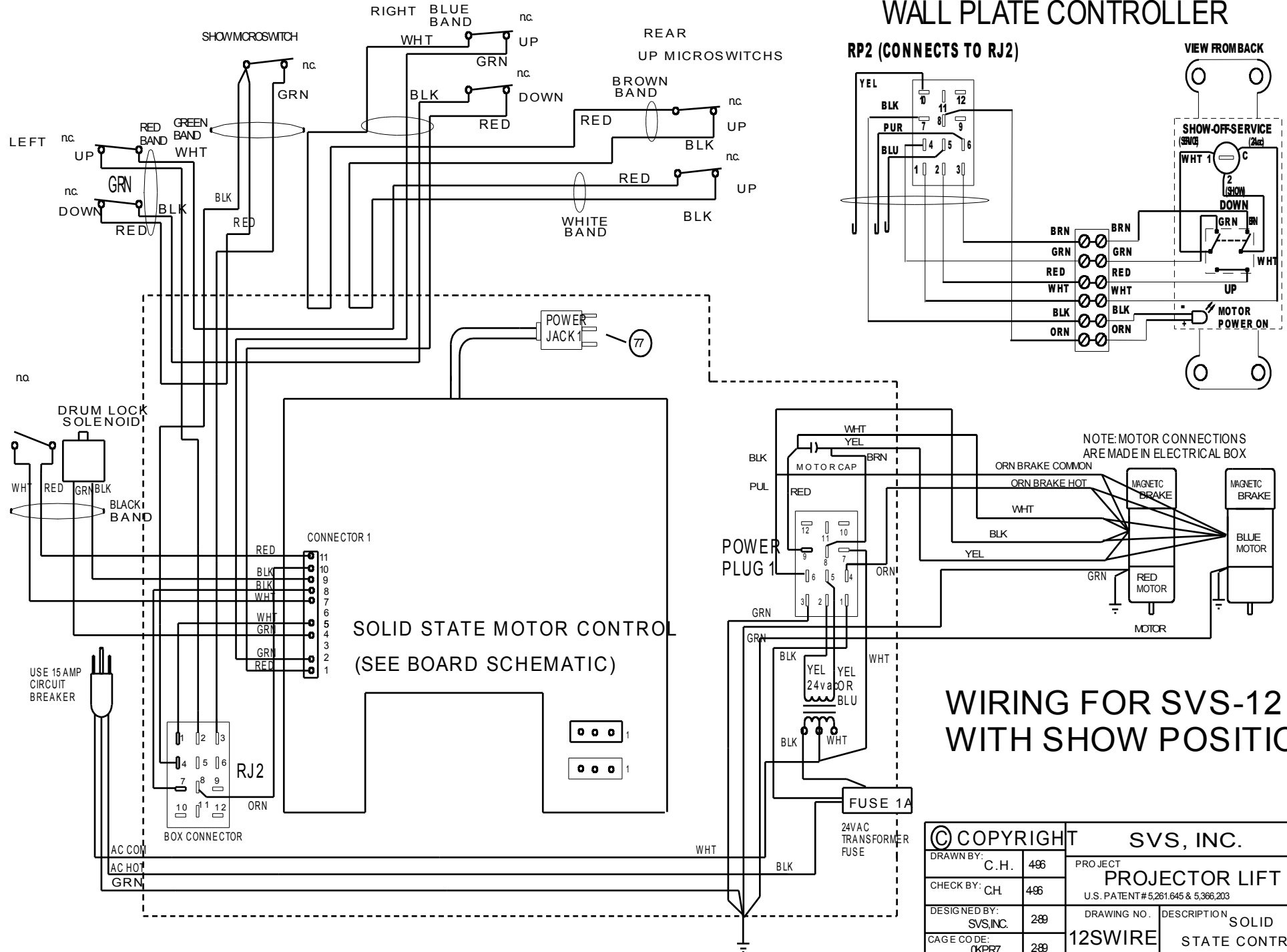
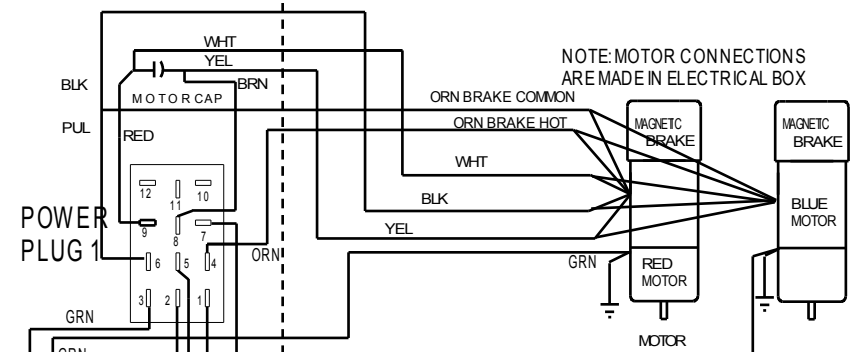
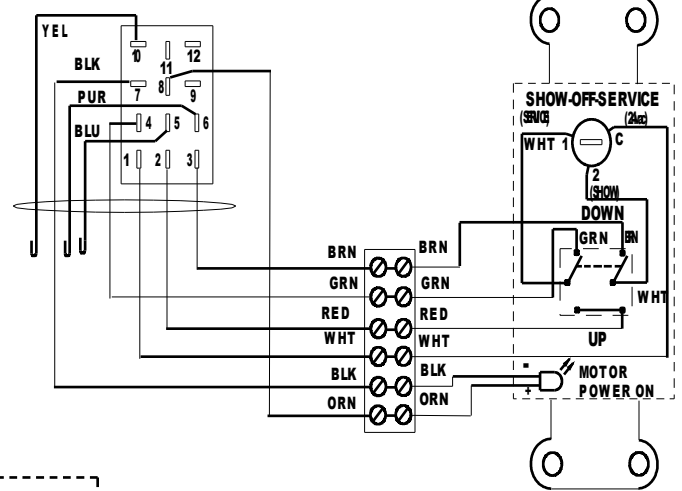


# WALL PLATE CONTROLLER



## RP2 (CONNECTS TO RJ2)



# WIRING FOR SVS-12 WITH SHOW POSITION

© COPYRIGHT		SVS, INC.	
DRAWN BY:	C. H. 496	PROJECT	PROJECTOR LIFT
CHECK BY:	CH 496	U.S. PATENT # 5,261,645 & 5,366,203	
DESIGNED BY:	SVS, INC. 288	DRAWING NO.	DESCRIPTION
CAGE CODE:	QKPR7 288	12SWIRE	SOLID STATE CONTROLLER
PHONE	850-522-4747	REVISION	RELEASE DATE
		5	3-00
		SER # AND UP	5000