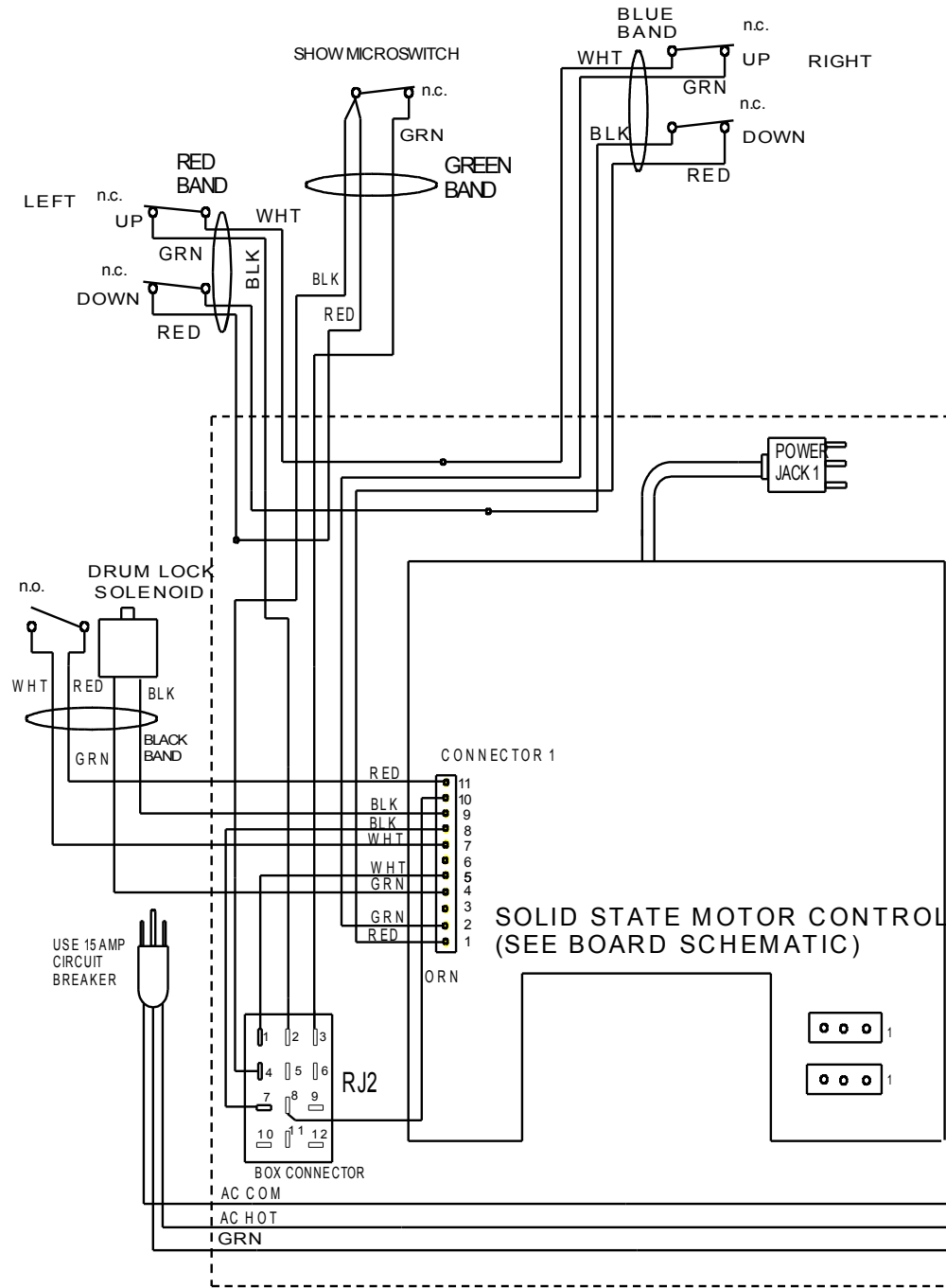
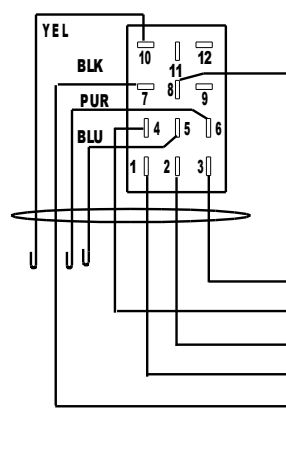


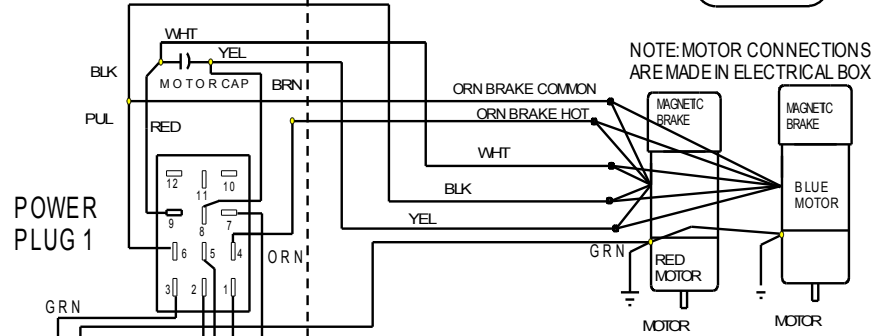
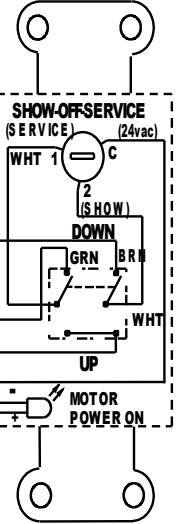
WALL PLATE CONTROLLER



RP2 (CONNECTS TO RJ2)



VIEW FROM BACK



NOTE: MOTOR CONNECTIONS ARE MADE IN ELECTRICAL BOX

WIRING FOR SVS-7SBS WITH SHOW POSITION

©COPYRIGHT		SVS, INC.		
DRAWN BY: C.H.	4-96	PROJECT PROJECTOR LIFT		
CHECK BY: C.H.	4-96	U.S. PATENT #5,281,645 & 5,366,203		
DESIGNED BY: SVS, INC.	2-89	DRAWING NO. 7SBSWIRE	DESCRIPTION SOLID STATE CONTROLLER	
CAGE CODE: OKPR7	2-89	REVISION 2	RELEASE DATE 11-02	SER # AND UP 5000
PHONE 850-522-4747				