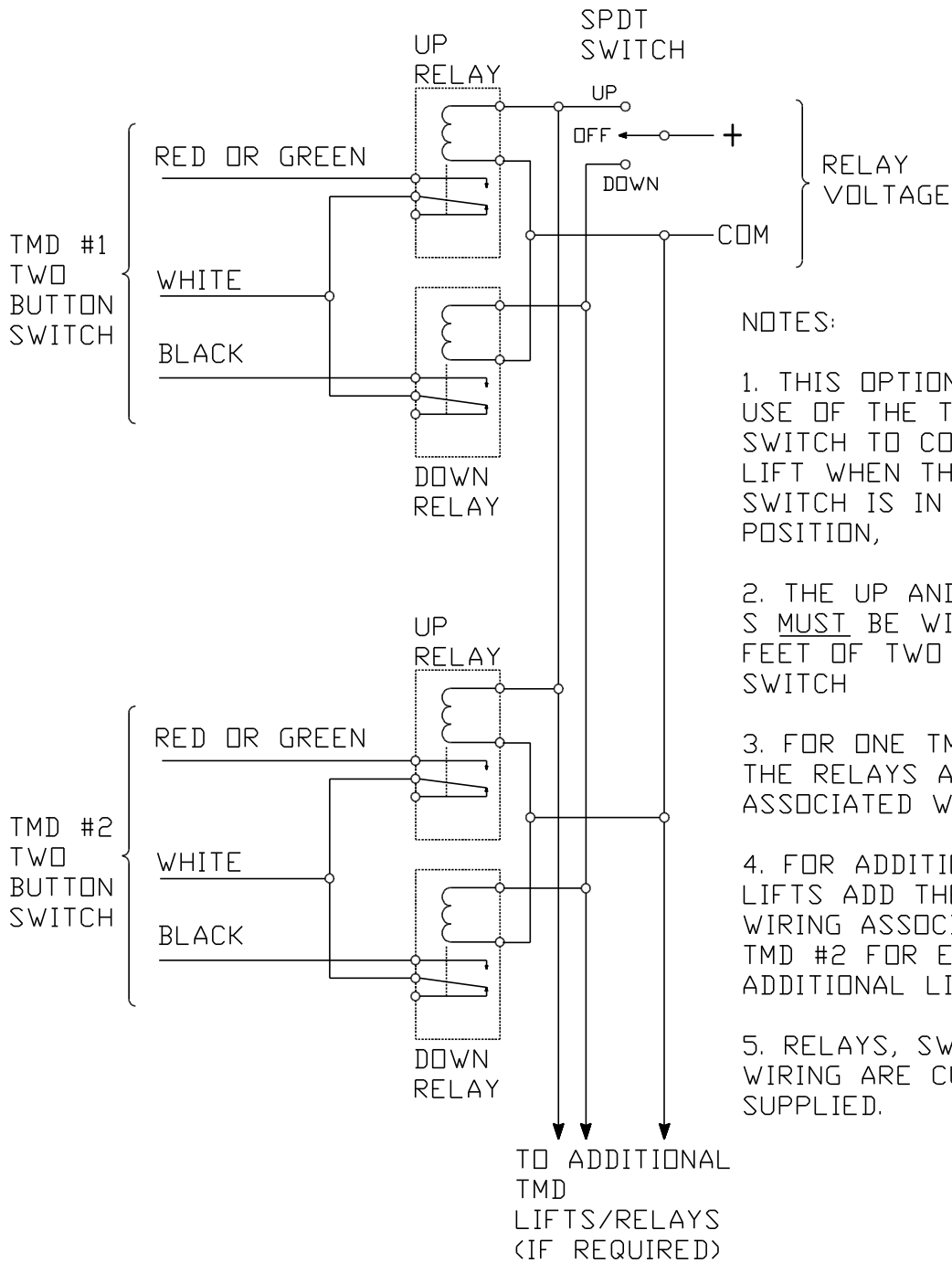


TMD EXTERNAL CONTROL WIRING OPTION 2



NOTES:

1. THIS OPTION ALLOWS THE USE OF THE TWO BUTTON SWITCH TO CONTROL THE LIFT WHEN THE SPDT SWITCH IS IN THE OFF POSITION,
2. THE UP AND DOWN RELAYS MUST BE WITHIN THREE FEET OF TWO BUTTON SWITCH
3. FOR ONE TMD LIFT USE THE RELAYS AND WIRING ASSOCIATED WITH TMD #1.
4. FOR ADDITIONAL TMD LIFTS ADD THE RELAYS AND WIRING ASSOCIATED WITH TMD #2 FOR EACH ADDITIONAL LIFT.
5. RELAYS, SWITCHES, AND WIRING ARE CUSTOMER SUPPLIED.

© COPYRIGHT		SCALE APPROX	SVS INC.	
DRAWN BY: D.B.			SVS TMD EXTERNAL CONTROL OPTION 2	
CHECKED BY: C.H.				
DESIGNED BY: SVS			DRAWING NO. TMD EXTERNAL MOD OPT2.DWG	
CAGE CODE: OKPR7		2-89		
PHONE: 850-522-4747		SERIAL NO.	RELEASE DATE 01/20/06	