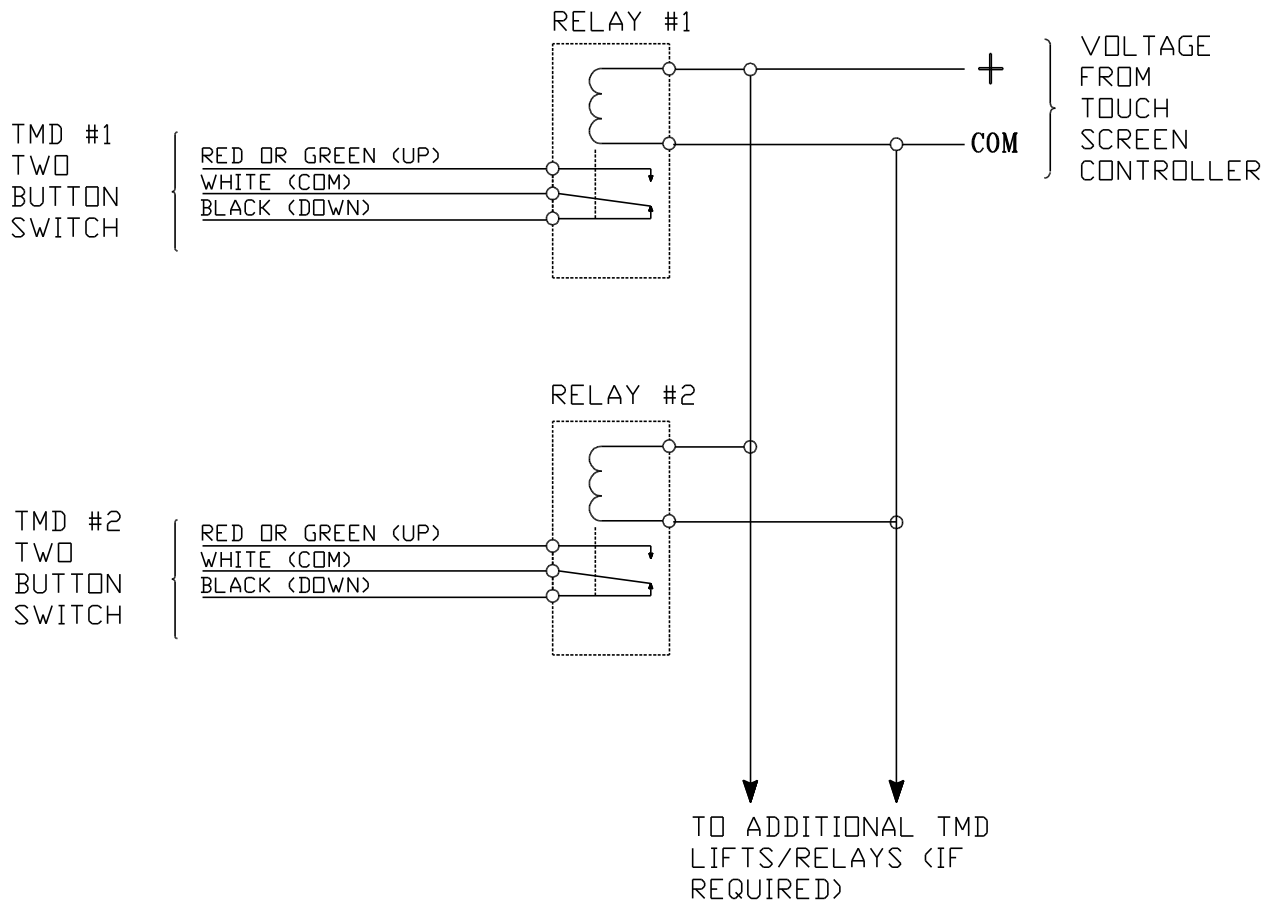


# TMD TOUCH SCREEN CONTROLLER WIRING OPTION 1



## NOTES:

1. THIS OPTION DISABLES THE TWO BUTTON SWITCH.
2. THE UP AND DOWN RELAYS MUST BE WITHIN THREE FEET OF TWO BUTTON SWITCH.
3. FOR ONE TMD LIFT USE RELAY #1 AND ASSOCIATED WIRING.
4. FOR ADDITIONAL TMD LIFTS ADD RELAY #2 AND ASSOCIATED WIRING FOR EACH ADDITIONAL LIFT.
5. A CONSTANT VOLTAGE FROM THE TOUCH SCREEN CONTROLLER IS REQUIRED TO KEEP THE LIFT IN THE UP POSITION.
6. THE TMD WILL LOWER WITH NO VOLTAGE FROM THE TOUCH SCREEN CONTROLLER.
7. RELAYS, SWITCHES, AND WIRING ARE CUSTOMER SUPPLIED.

© COPYRIGHT	SCALE APPROX	SVS INC.	
DRAWN BY: D.B.			
CHECKED BY: C.H.		DRAWING NO. TOUCH SCREEN WIRING OPT1.DWG	
DESIGNED BY: SVS			
CAGE CODE: OKPR7	2-89	01/20/2006	
PHONE: 850-522-4747			