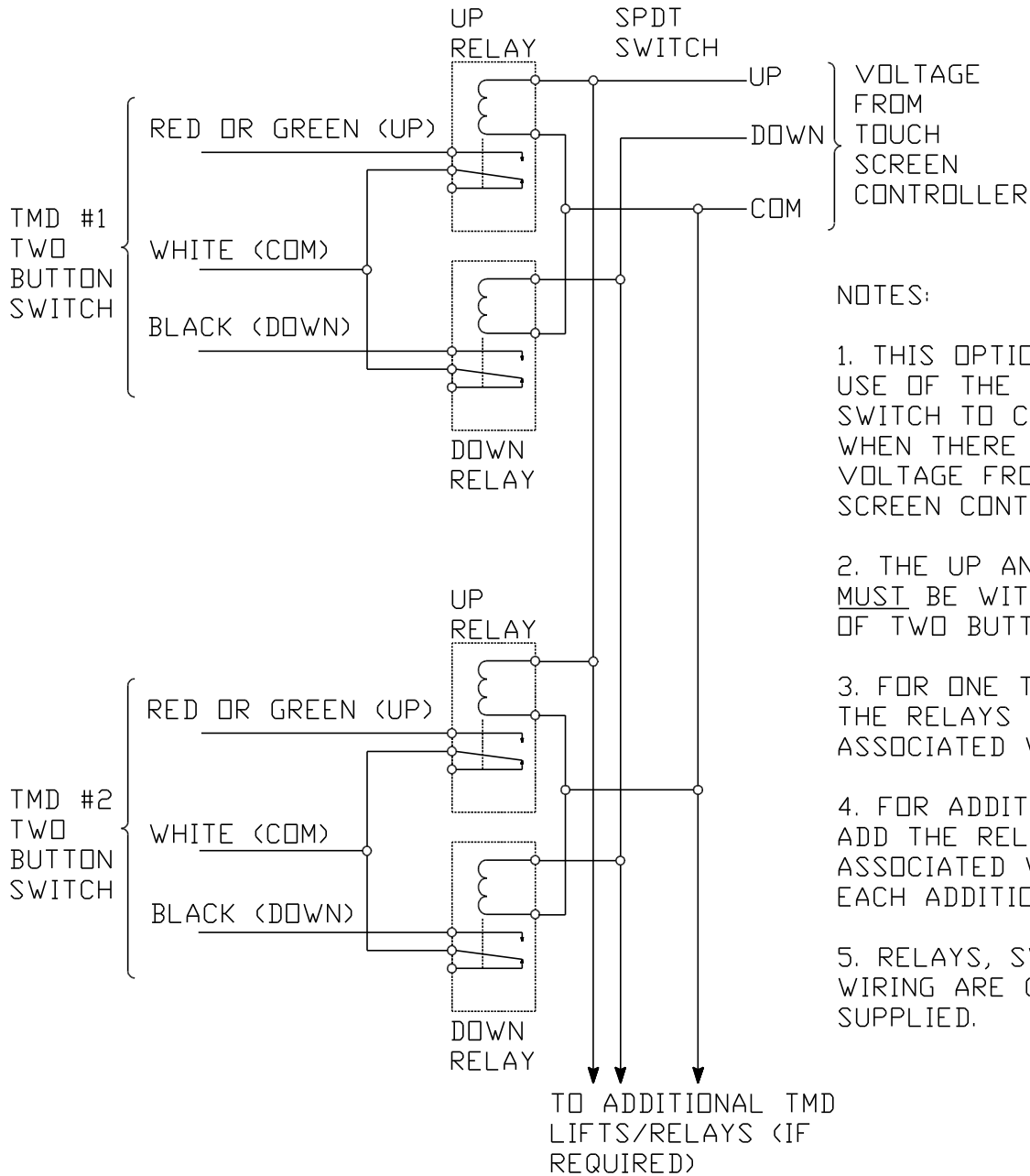


TMD TOUCH SCREEN CONTROLLER WIRING OPTION 2



NOTES:

1. THIS OPTION ALLOWS THE USE OF THE TWO BUTTON SWITCH TO CONTROL THE LIFT WHEN THERE IS NO CONTROL VOLTAGE FROM THE TOUCH SCREEN CONTROLLER.
2. THE UP AND DOWN RELAYS MUST BE WITHIN THREE FEET OF TWO BUTTON SWITCH
3. FOR ONE TMD LIFT USE THE RELAYS AND WIRING ASSOCIATED WITH TMD #1.
4. FOR ADDITIONAL TMD LIFTS ADD THE RELAYS AND WIRING ASSOCIATED WITH TMD #2 FOR EACH ADDITIONAL LIFT.
5. RELAYS, SWITCHES, AND WIRING ARE CUSTOMER SUPPLIED.

TOUCH SCREEN CONTROLLER NOTES:

1. APPLY CONSTANT VOLTAGE FROM THE TOUCH SCREEN CONTROLLER TO THE UP AND COMMON WIRES TO RAISE THE LIFT.
2. APPLY A CONSTANT VOLTAGE FROM THE TOUCH SCREEN CONTROLLER TO THE DOWN AND COMMON WIRE TO LOWER CAUSE THE LIFT.
3. PROGRAM A TIME OUT AFTER THE NORMAL RUN TIME FOR RAISING AND LOWERING THE LIFT.
4. PROGRAM AN EXCLUSIVE LOCKOUT ON UP AND DOWN SO BOTH THE UP AND DOWN CANNOT BE ACTIVATED AT THE SAME TIME.

© COPYRIGHT	SCALE APPROX	SVS INC.	
DRAWN BY: D.B.			
CHECKED BY: C.H.		DRAWING NO. TOUCH SCREEN WIRING OP2.DWG	
DESIGNED BY: SVS		SERIAL NO.	RELEASE DATE
CAGE CODE: OKPR7	2-89		
PHONE: 850-522-4747		01/20/2006	