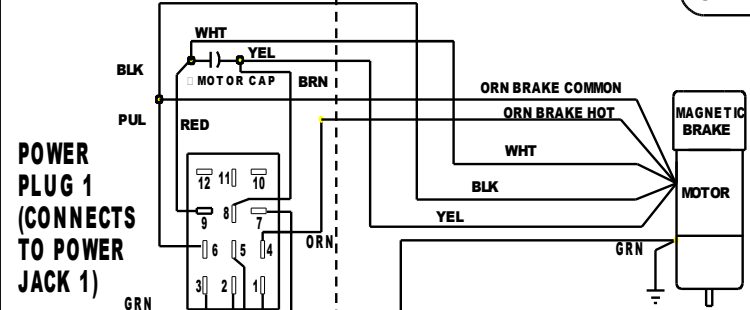
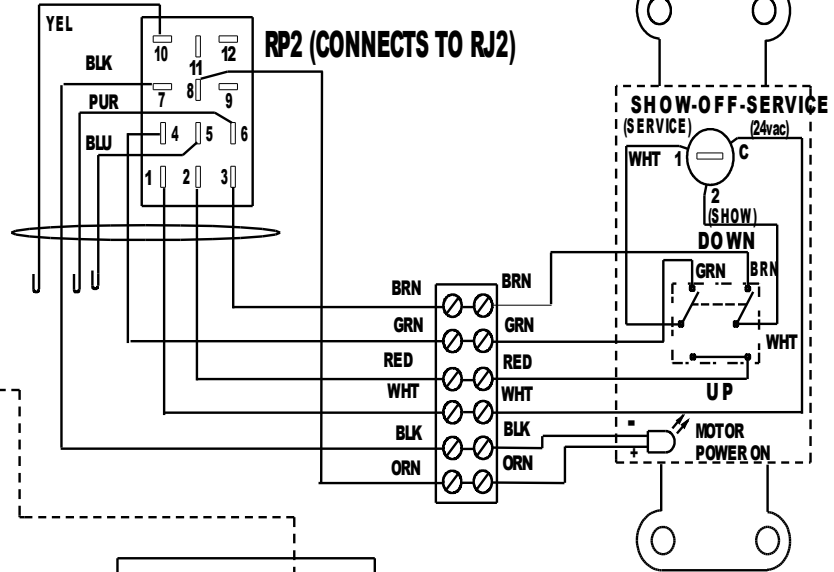


# WALL PLATE CONTROLLER



# WIRING FOR SOLID STATE MOTOR CONTROL WITH SHOW POSITION

<b>©COPYRIGHT</b>		<b>SVS, INC.</b>	
DRAWN BY:	C.H. 596	PROJECT	
CHECK BY:	C.H. 596	<b>PROJECTOR LIFT</b>	
DESIGNED BY:	SVS, INC. 289	U.S. PATENT # 5,261,645 & 5,366,203	
CAGE CODE:	OKPR7 289	DRAWING NO.	DESCRIPTION
PHONE	850-522-4747	SWIRE	<b>SOLID STATE CONTROLLER</b>
REVISION	8	RELEASE DATE	SER # AND UP
		7-00	5000