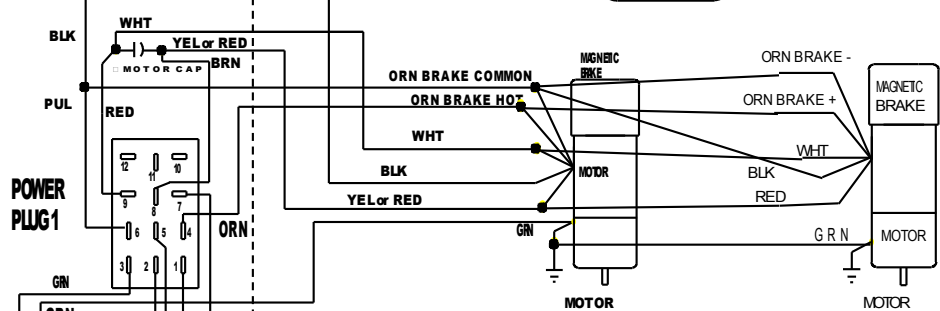
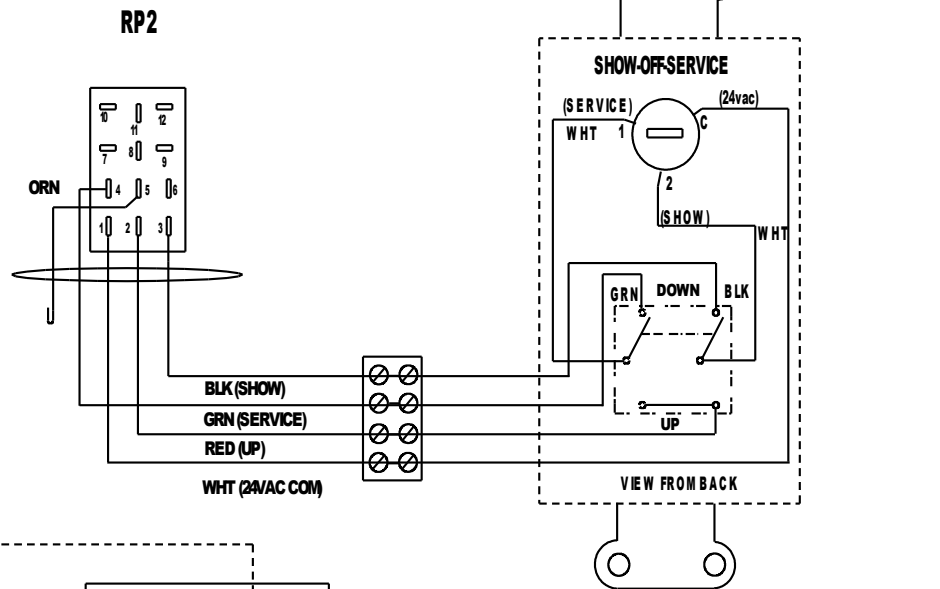
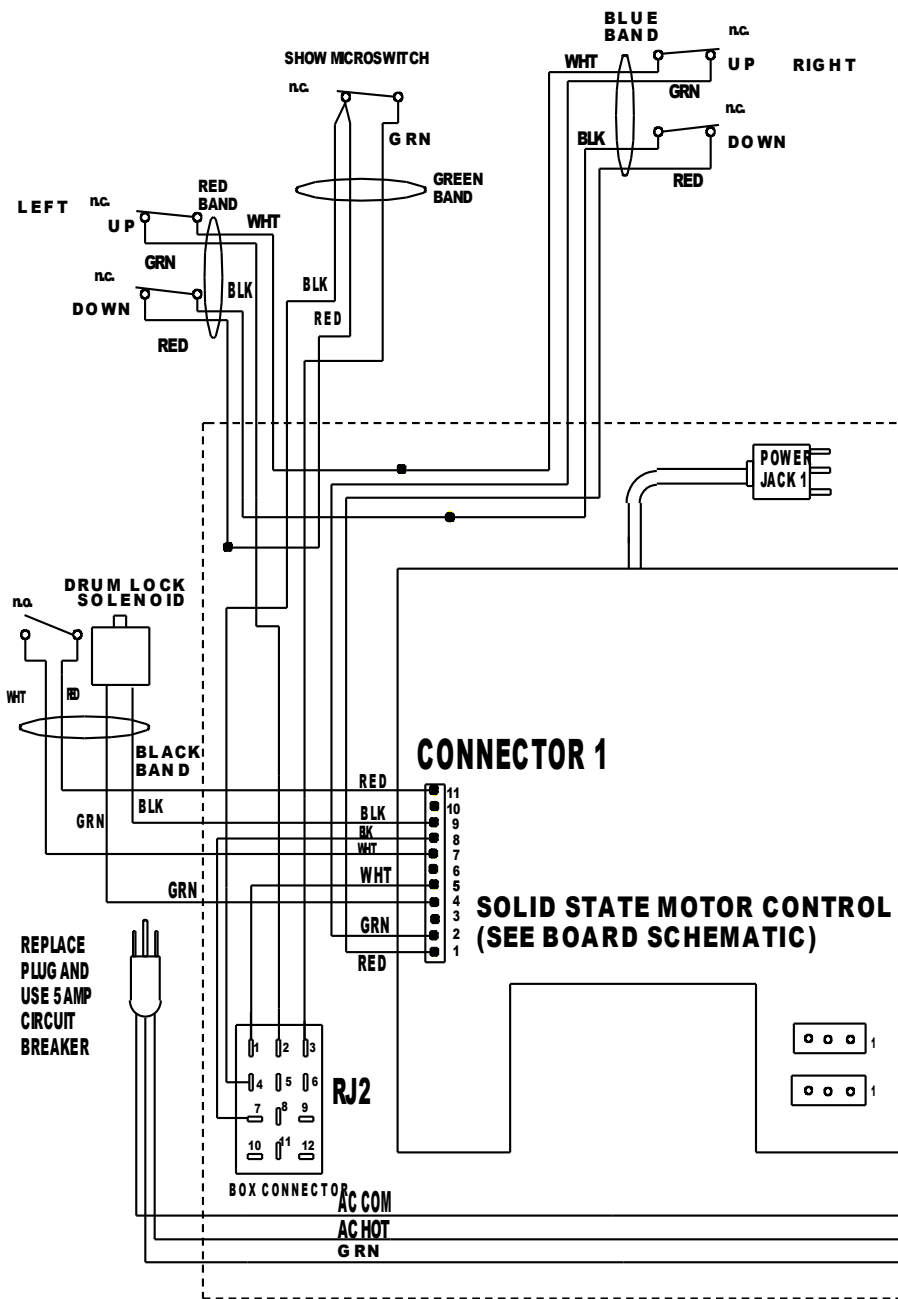


WALL PLATE CONTROLLER



REPLACE PLUG AND USE 5 AMP CIRCUIT BREAKER

WIRING FOR 220v INTERNATIONAL CONTROL WITH SHOW POSITION and DUAL MOTORS

© COPYRIGHT		SVS, INC.		
DRAWN BY: C.H.	10-85	PROJECT PROJECTOR LIFT		
CHECK BY: C.H.	10-85	U.S. PATENT # 5,261,645 & 5,366,203		
DESIGNED BY: SVS, INC.	2-89	DRAWING NO.	DESCRIPTION	
CAGE CODE: OKPR7	2-89	ISWIRE 2M	SOLD STATE CONTROLLER	
PHONE	REVISION	RELEASE DATE	SER # AND UP	
850-522-4747	3	1-04	5000	