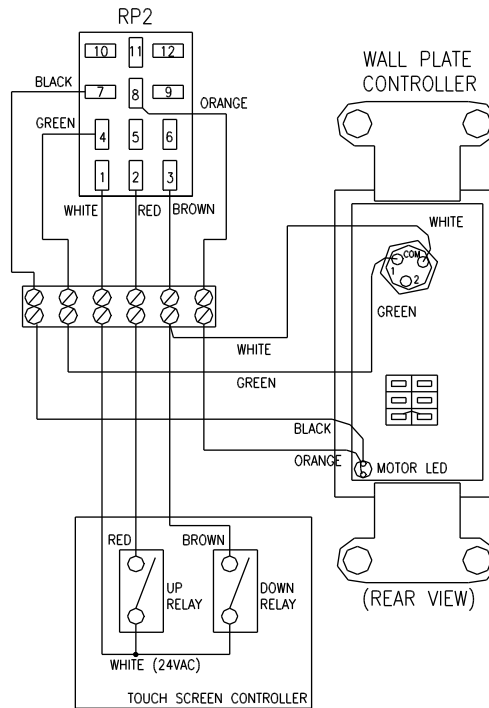


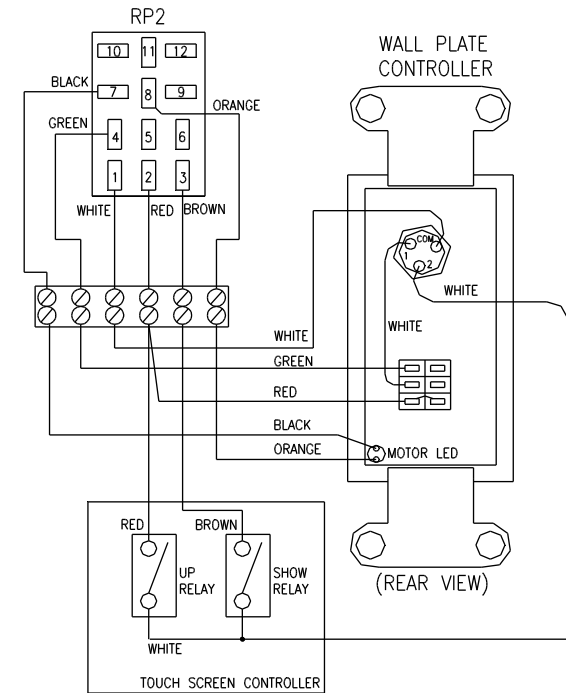
TOUCH SCREEN CONTROLLER TWO RELAY OPTION  
TOUCH SCREEN CONTROLLER CONTROLS DOWN TO SHOW POSITION AND UP



SVS TOUCH SCREEN CONTROLLER OPTION 1  
(\*\*REQUIRES REWIRE OF WALL PLATE CONTROLLER\*\*)

WITH WALL PLATE KEY SWITCH IN THE SHOW/OFF POSITION  
THE TOUCH SCREEN CONTROLLER CONTROLS DOWN TO SHOW POSITION AND UP

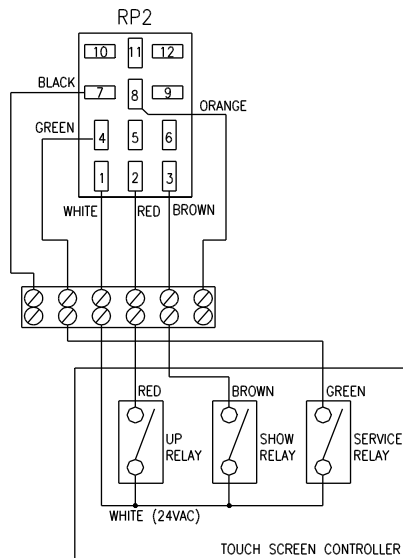
WITH WALL PLATE KEY SWITCH IN THE SERVICE POSITION  
THE TOUCH SCREEN CONTROLLER CONTROLS DOWN TO SERVICE POSITION AND UP



SVS TOUCH SCREEN CONTROLLER OPTION 2  
(\*\*REQUIRES REWIRE OF WALL PLATE CONTROLLER\*\*)

WITH WALL PLATE KEY SWITCH IN THE SHOW POSITION  
THE TOUCH SCREEN CONTROLLER CONTROLS DOWN TO SHOW POSITION AND UP

WITH WALL PLATE KEY SWITCH IN THE SERVICE POSITION  
THE WALL PLATE CONTROLLER TOGGLE SWITCH CONTROLS DOWN TO SERVICE POSITION AND UP



TOUCH SCREEN CONTROLLER THREE RELAY OPTION  
TOUCH SCREEN CONTROLLER CONTROLS DOWN TO SHOW POSITION, DOWN TO SERVICE, AND UP

**NOTE:**

1. PROGRAM A RELEASE OF RELAYS TO STOP UP AND DOWN.
2. PROGRAM A TIME OUT AFTER NORMAL RUN TIME IS EXCEEDED (SVS SCISSORS LIFTS MOVE AT 1-INCH/SECOND).
3. PROGRAM AN EXCLUSIVE LOCKOUT ON UP AND DOWN SO BOTH CAN NOT BE ACTIVATED AT THE SAME TIME. THIS PREVENTS THE LIFT FROM ENTERING A LOCK OUT CONDITION.
4. HOLD RELAYS ON TO MOVE LIFT AND RELEASE TO STOP LIFT.
5. TOUCH SCREEN CONTROLLER WIRING CAN NOT BE USED WITH SVS ACCESSORY #4 POWER SENSOR, ACCESSORY #5 POWER SENSOR WITH SCREEN CONTROL, OR ACCESSORY #15 12VOLT TRIGGER.
6. CONNECTING A TOUCH SCREEN CONTROLLER AND THE WALL PLATE CONTROLLER IN PARALLEL WILL CAUSE THE LIFT ENTER A LOCK OUT CONDITION IF THE LIFT RECEIVES 24VAC ON THE UP (RED WIRE) AND DOWN (BROWN WIRE OR GREEN WIRE) AT THE SAME TIME.
7. MATCH WIRE COLOR NOT TERMINAL STRIP POSITION. WIRES ARE NOT ALWAYS PLACED ON THE TERMINAL STRIPS IN THE SAME ORDER.

**RP2 PIN OUT:**

- PIN 1 - WHITE WIRE - CONTROL COMMON (24VAC OUT)\*
  - PIN 2 - RED WIRE - UP
  - PIN 3 - BROWN WIRE - DOWN TO SHOW
  - PIN 4 - GREEN WIRE - DOWN TO SERVICE
  - PIN 7 - BLACK WIRE - LED RETURN (GND)
  - PIN 8 - ORANGE WIRE - LED+
- \* THE 24VAC CAN BE MEASURED BETWEEN THE WHITE AND BLACK WIRES.

IF YOU HAVE ANY QUESTIONS CONCERNING THIS WIRING PLEASE CONTACT SVS AT 850-522-4747 OR TECHSUPPORT@SVSLIFTS.COM

© COPYRIGHT	SCALE APPROX	SVS INC.	
DRAWN BY: D.B.	5-09	TOUCH SCREEN CONTROLLER WIRING	
CHECKED BY: C.H.	5-09	DRAWING NO. TCWIRE6.DWG	
DESIGNED BY: SVS			
CAGE CODE: OKPR7	2-89		
PHONE: 850-522-4747		REVISION: 01	RELEASE DATE MAY 5, 2009